



ST. CLAIR
Technologies, Inc.

Innovative Solutions For
Electrical Systems

Allison
"World", "1000/2000/2400"
& "GEN4"
Transmission

Wiring Harness Parts Catalog

April 2011

Table of Contents

How to Use This Catalog	3
Ordering From This Catalog	3
St. Clair Service Parts Request Form	4
CSS Diagrams (Customer Specification Sheets) - Section 1	
WTEC II	5
WTEC III	7
1000/2000/2400	14
Adaptor Harnesses	20
GEN4	21
Wiring Harness Connectors - Section 2	
1K/2K Trans	77
3K/4K Trans	78
Bulkhead	29
DDR 9-Way	81
Diagnostic Data Reader	34
ECU/Shift Selector	73
Electronic Control Unit	36
J1939	41
J1939 Female with Blue Lock	82
Neutral Start Backup Switch	42
Neutral Start Back Up Switch - 12 Way (After July 1/03)	71
NSOL	72
Retarder Air Accumulator Solenoid	44
Retarder Control Body (MDR)	45
Retarder Modulation Request	46
Retarder Modulation Solenoid (HDR)	47
Retarder Temperature Sensor	48
Sensor Harness	50
Serial Communications Interface	53
Shift Selector	54
Shift Selector - 90°	79
Shift Selector - Straight	80
TCM "A" Dress	75
TCM "B" Dress	76
TCM Straight Dress	74
Throttle Position Sensor	56
TLCT	59
Transfer Case (MD 7)	60
Transmission Control Module (TCM J1)	40
Transmission Control Module (TCM J2)	61

Transmission Feedthru	58
Transmission Speed Sensors	57
Transmission Speed Sensors, Engine, Turbine & Output (After July 1/03)	70
Transmission Speed Sensors, Engine, Turbine & Output (GEN4)	83
Vehicle Interface Module	62
Vehicle Interface Wiring (VIW)	66

How to Use This Catalog

This catalog is divided into two sections. Section 1 contains Customer Specification Sheet diagrams for WTEC II, III, 1000/2000/2400 and GEN4 Transmissions. Use these diagrams to communicate harness design requirements to St Clair. Simply copy the required pages, fill in the necessary information and fax to us. These diagrams can also be used to locate the name of a particular connector by its location on the wiring harness. Also included in Section 1 are commonly used adaptor harnesses. A description of each application is provided.

Section 2 contains an alphabetical listing of the WTEC II, III, 1000/2000/2400 and GEN4 connectors. If you know the connector that you need, you can start with Section 2. In Section 2, you will find a diagram and a parts list for each connector and a list of the tools required for crimping, insertion and removal. Part numbers are listed for St. Clair Technologies, Allison Transmission and the component manufacturer.

Ordering From This Catalog

For your convenience, St. Clair Technologies has assembled service kits for each connector system. In all instances, kits are made to the maximum condition of harness configuration. Kit part numbers appear with the part numbers for each connector and are marked with an asterisk in each list.

Individual components of each system are available by part number or can be selected by circling the appropriate graphic(s) on a page and then faxing those pages in conjunction with the "Service Parts Order Form."

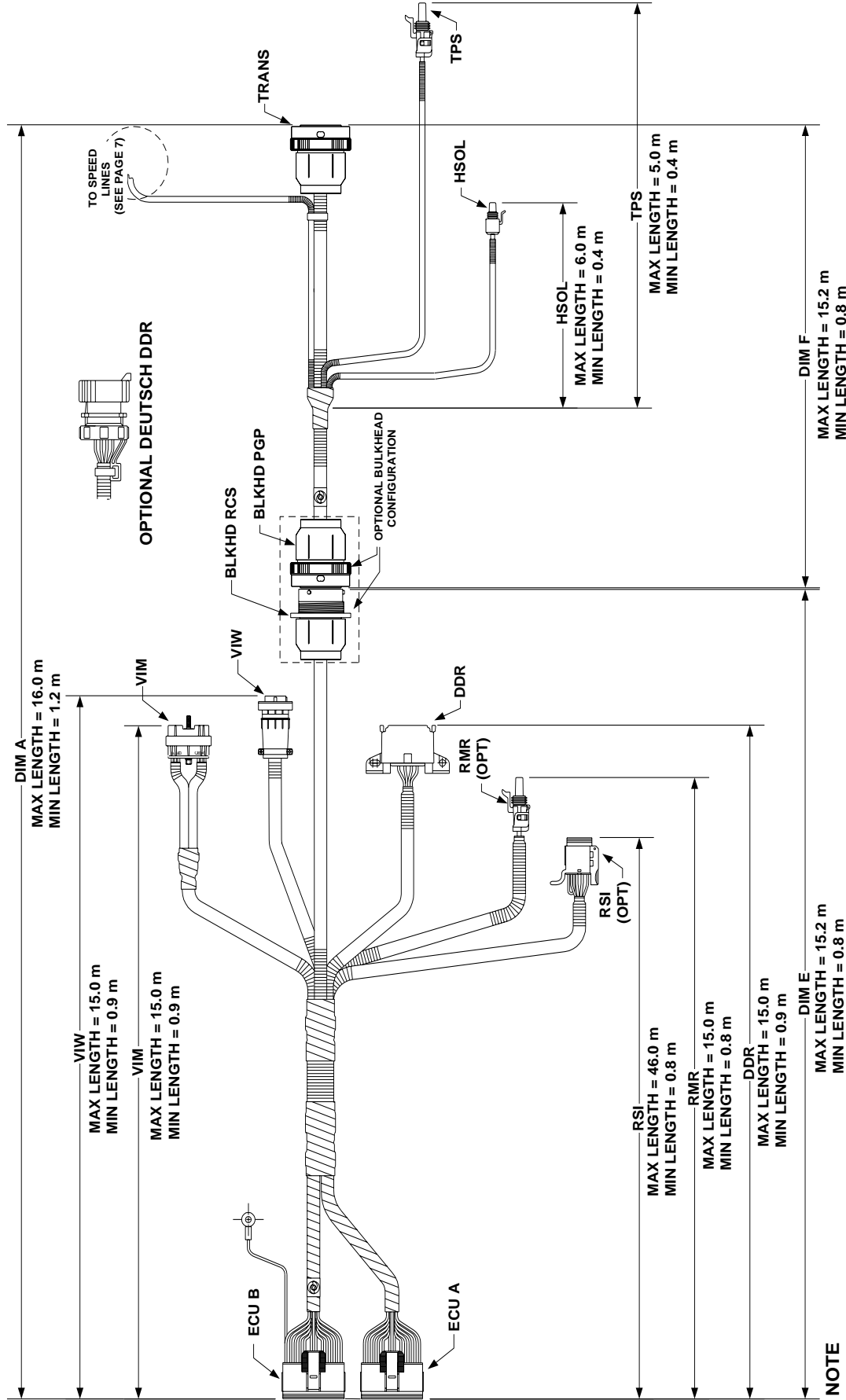
To order your service parts, e-mail or fax your order to:

St. Clair Technologies Inc.
E-mail: CustServ@stclairtech.com
Phone: 520-746-8067
FAX: 520-746-8087

A copy of this catalog can also be found on our Website. Visit us at www.stclairtech.com.

WTEC II Customer Specification Sheet

WTII - 1PC, CAB OR CHASSIS



NOTE
 IF BULKHEAD NOT REQUIRED
 HARNESS IS A 1 PC CONFIGURATION

WTEC II Customer Specification Sheet

WT2 Drawing Detail

Transmission Model _____

Date: _____

Transmission Type (Choose 1 Only)

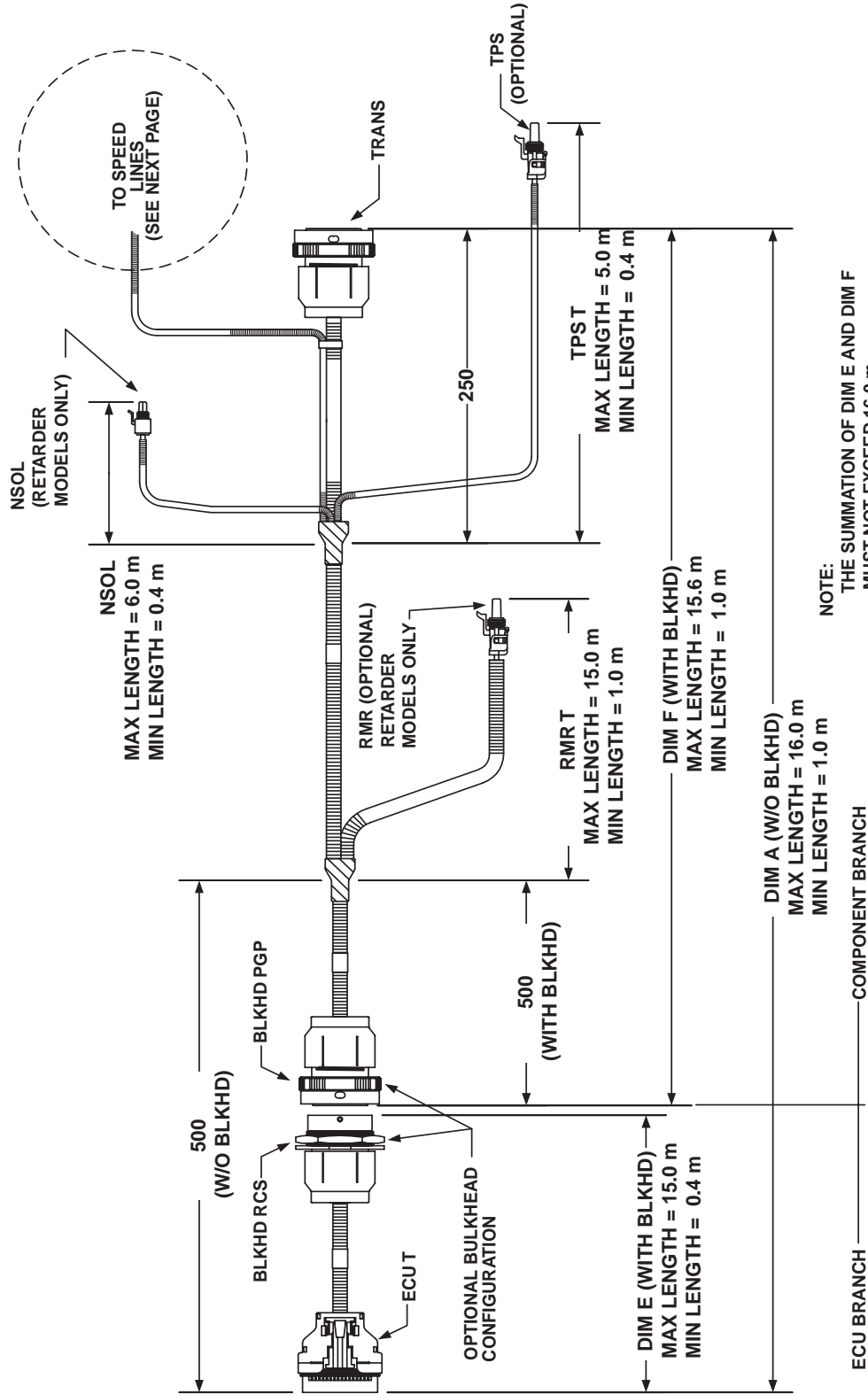
- MD - Non Retarder
- MD - With Retarder
- HD - Non Retarder
- HD - With Retarder

Variables	Information	Constraint	Measure	
DIM "A"	1 Pc	1200 - 16000 mm		CHOOSE 1 ONLY
DIM "E"	2 Pc - Cab	800 - 15200 mm		
DIM "F"	2 Pc - Chassis	800 - 15200 mm		
VIM	Mandatory (1 pc & Cab only)	900 - 15000 mm		
VIW	Mandatory (1 pc & Cab only)	900 - 15000 mm		
DDR	Mandatory (1 pc & Cab only)	900 - 15000 mm		
DDR/	Optional Connector	Packard Deutsch	<input type="radio"/> <input type="radio"/>	
RSI - 1	Optional (1 pc & Cab only)	800 - 46000 mm Enter '0' if not required		
RSI - 2	Optional (1 pc & Cab only)	800 - 46000 mm Enter '0' if not required		
TPS	Optional (1 pc & Chassis only)	400 - 5000 mm		
RMR - 1	Mandatory (1 pc & Cab only)	800 - 15000 mm		Retarder Models Only
RMR - 2	Optional (1 pc & Cab only)	800 - 15000 mm Enter '0' if not required		
HSOL	Mandatory (1 pc & Chassis only)	400 - 6000 mm		

* If your transmission is a "Pre Block" (rectangular connector on "feed through harness"), you will need to order adapter. See page 20 for diagram.

WTEC III Customer Specification Sheet - Transmission

WT III - TRANSMISSION



NOTE:
THE SUMMATION OF DIM E AND DIM F
MUST NOT EXCEED 16.0 m.

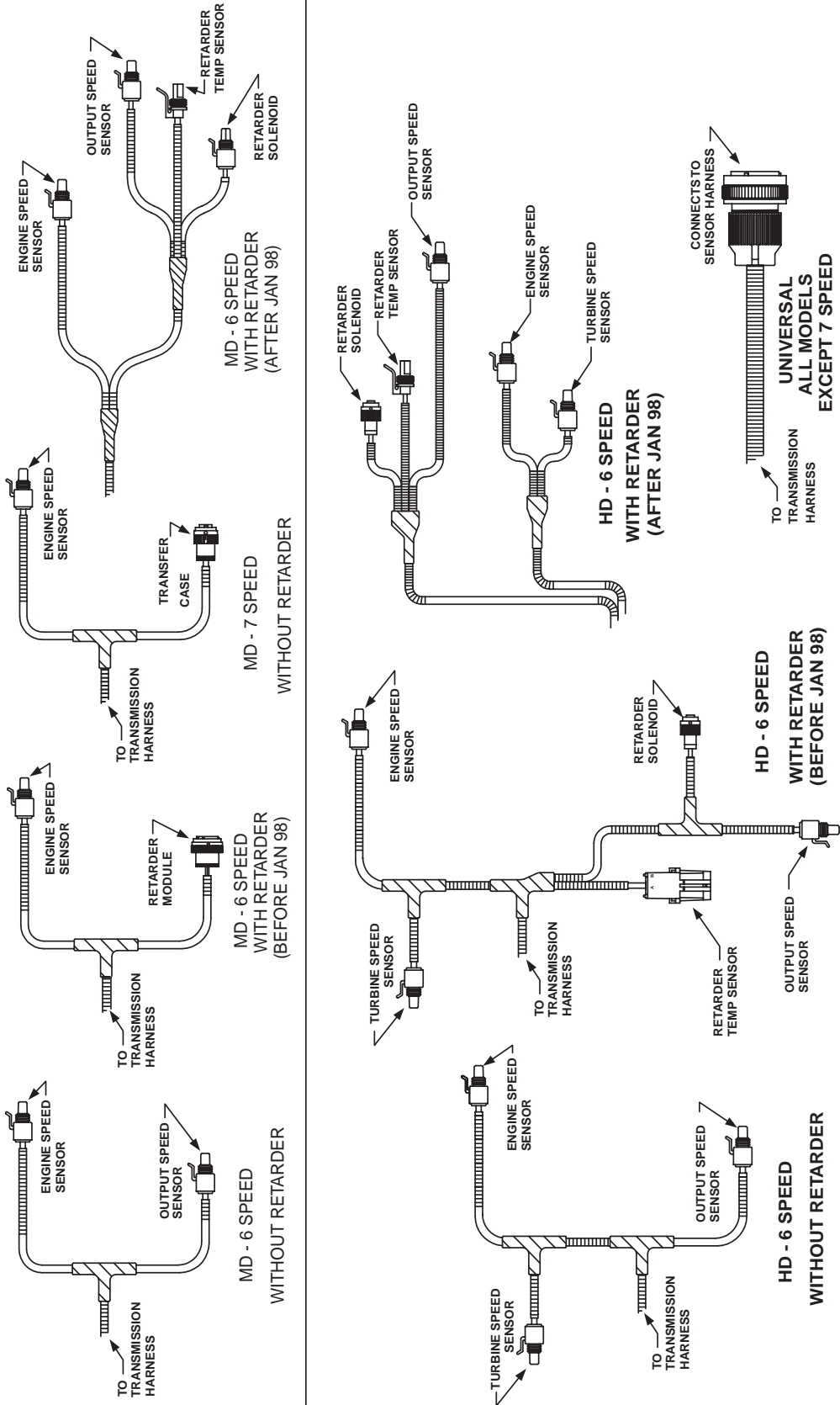
COMPONENT DIMENSIONS ARE REFERENCED
TO THE POINT OF BRANCH BREAKOUT WITH
AND WITHOUT BULKHEAD.

NOTE:
IF BULKHEAD NOT REQUIRED, HARNESS
IS A ONE PIECE CONFIGURATION

Rev 04/22/99 Form# WT3D

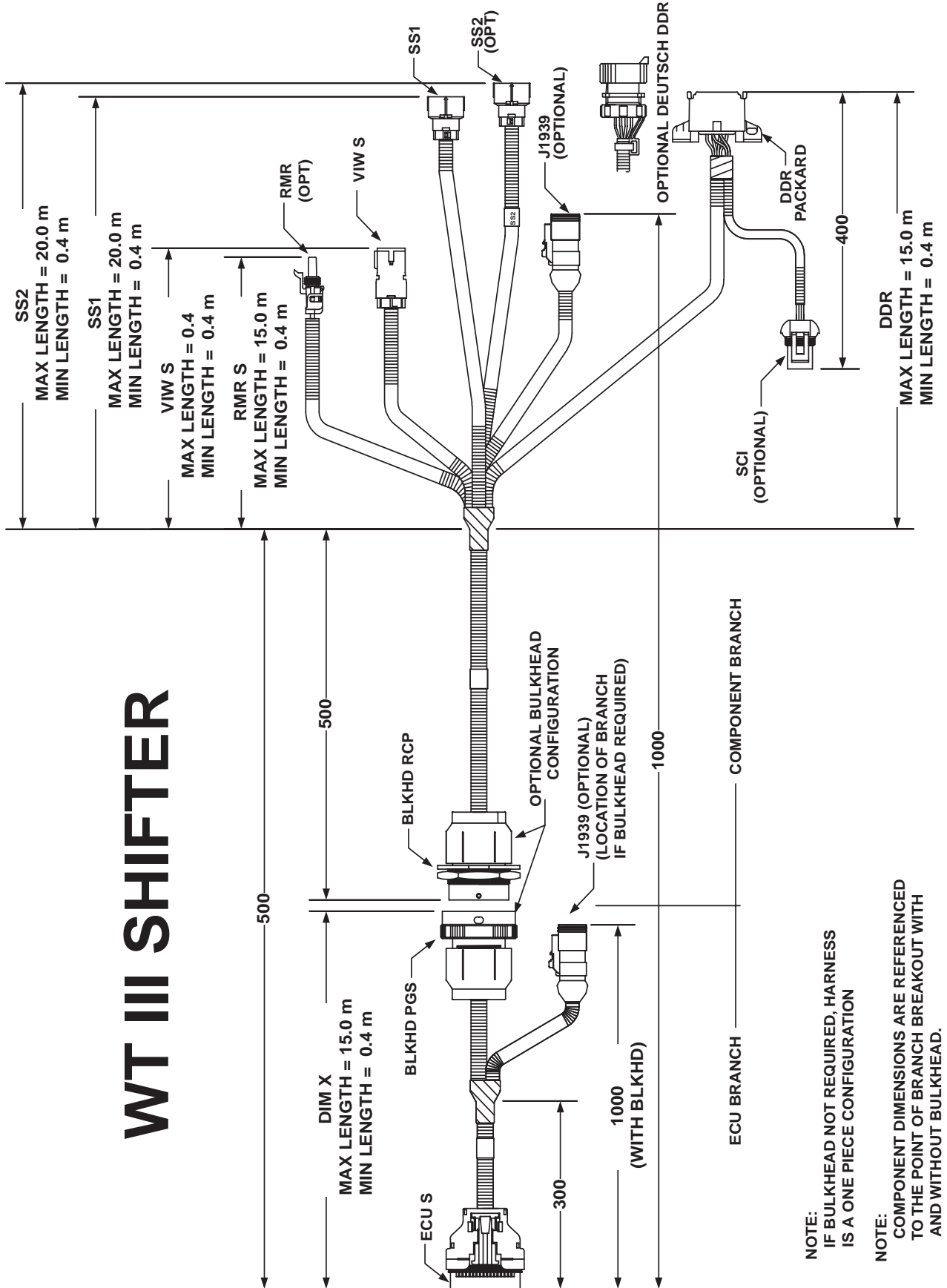
WTEC III Customer Specification Sheet - Transmission Speed Lines

WT TRANSMISSION SPEED LINE CONFIGURATIONS



Rev 04/22/99 Form# WT3E

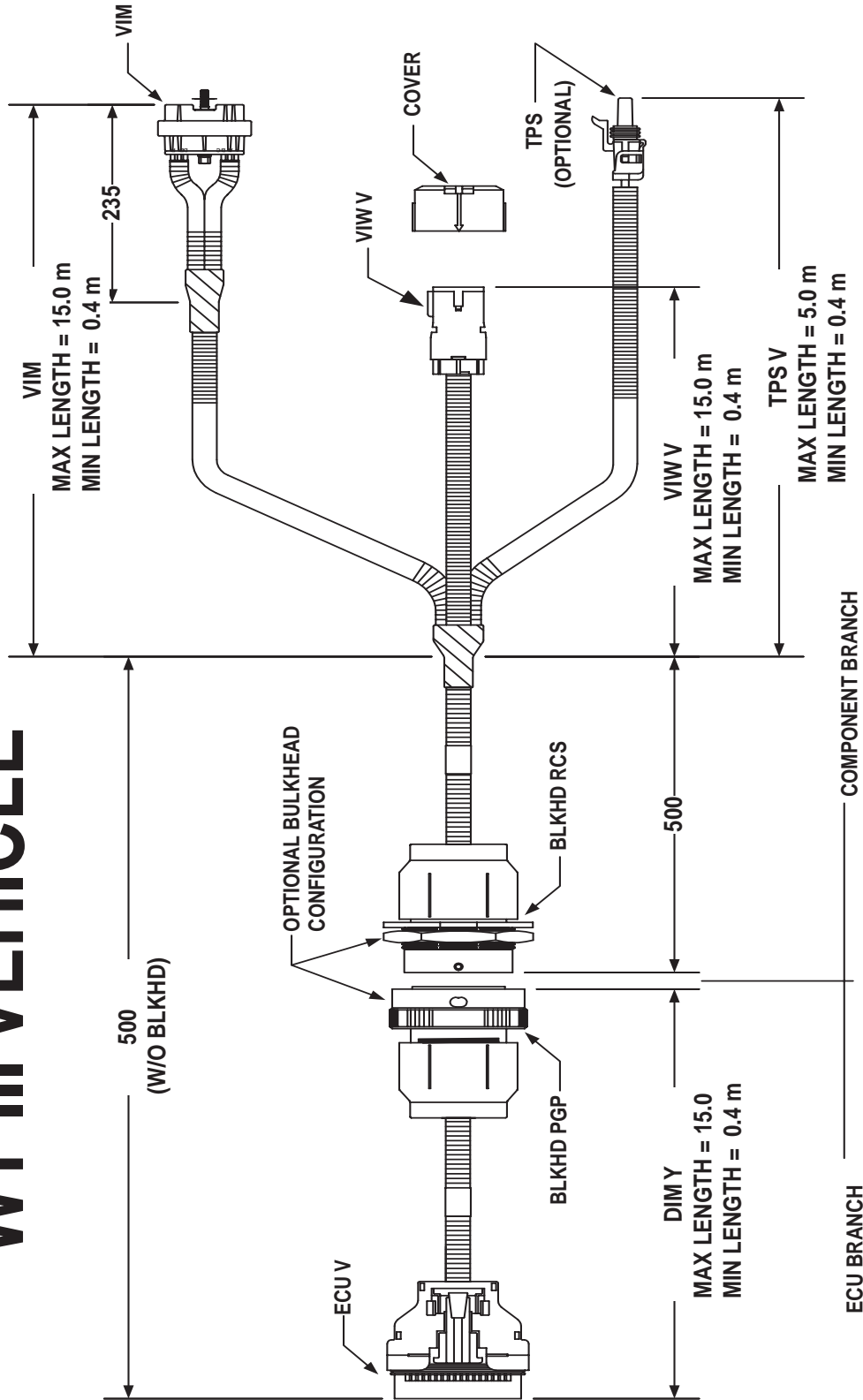
WTEC III Customer Specification Sheet - Shifter Harness



Rev 04/22/99 Form# WT3A

WTEC III Customer Specification Sheet - Vehicle Harness

WT III VEHICLE



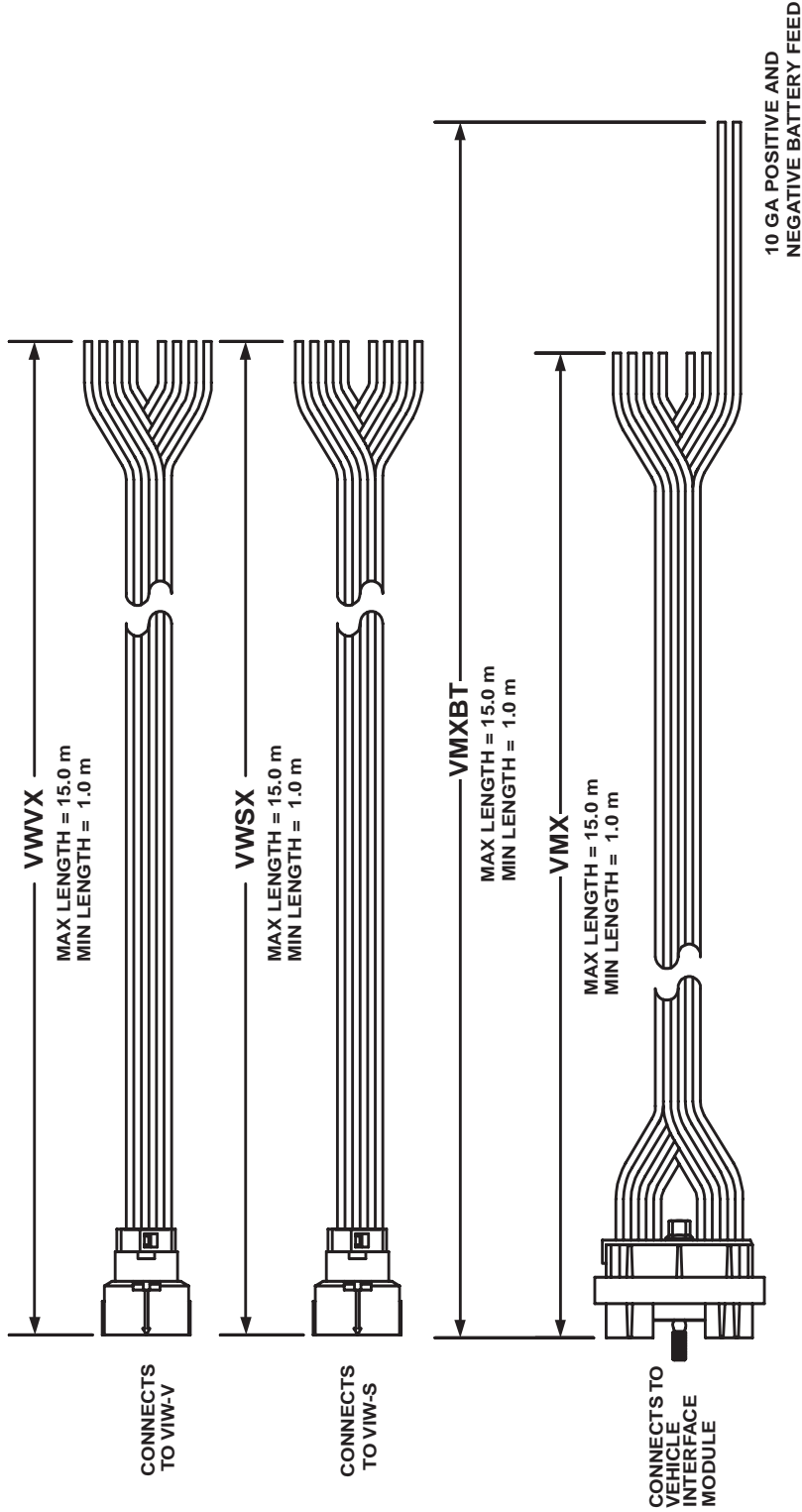
NOTE:
 COMPONENT DIMENSIONS ARE REFERENCED
 TO THE POINT OF BRANCH BREAKOUT WITH
 AND WITHOUT BULKHEAD.

NOTE:
 IF BULKHEAD NOT REQUIRED, HARNESS
 IS A ONE PIECE CONFIGURATION

Rev 04/22/99 Form# WT3B

WTEC III Customer Specification Sheet - Input

WT III INPUT HARNESSSES



Variable	Information	Constraint	Measure
VWVX	Mandatory	1000 - 15000 mm	
VWSX	Mandatory	1000 - 15000 mm	
VMX	Mandatory	1000 - 15000 mm	
VMXBT	Mandatory	1000 - 15000 mm	

Rev 05/03/00 Form# WT3G

WTEC III Customer Specification Sheet

WT3 Drawing Detail - Transmission

Date: _____

Transmission Type/Model: _____

Ref. Drawing:	200007 UNIV	<input type="radio"/>	For St. Clair
	200008 MD	<input type="radio"/>	Use Only
	200026 MDR	<input type="radio"/>	
	200010 HD	<input type="radio"/>	Do Not
	200011 HDR	<input type="radio"/>	Mark
	200012 MD7	<input type="radio"/>	
	200180 MDR	<input type="radio"/>	(After Jan,98)
	200181 HDR	<input type="radio"/>	(After Jan,98)

Variables	Information	Constraint	Measure
TPS	Optional	400 - 5000 mm Enter '0' if not required	
DIM A	1pc	1000 - 16000 mm	CHOOSE 1 ONLY
DIM F	2pc COMP	1000 - 15600 mm	
RMR T	Optional	400 - 15000 mm Enter '0' if not required	RETARDER MODELS ONLY
NSOL	Mandatory	400 - 6000 mm	

IS THIS A 1pc CONFIGURATION? ___ YES ___ NO. IF NO, YOU MUST FILL IN BELOW.

2 pc ECU Branch - Transmission

Variables	Information	Constraint	Measure
DIM E	2pc ECU	400 - 15000 mm	

WTEC III Customer Specification Sheet

WT3 Drawing Detail - Shifter

Date: _____

Variables	Information	Constraint	Measure	
SS1	Mandatory	400 - 20000 mm		
SS2	Optional	400 - 20000 mm Enter '0' if not required		
VIW S	Mandatory	400 - 15000 mm		
RMR S	Optional	400 - 15000 mm Enter '0' if not required		
DDR	Mandatory	400 - 15000 mm		
DDR/	Optional	Packard	O	
	Connector	Deutsch	O	
SCI	Optional	Yes	O	Length Not Optional
		No	O	
J1939	Optional	Yes	O	Length Not Optional
		No	O	

IS THIS A 1pc CONFIGURATION? ___ YES ___ NO.
IF NO, YOU MUST FILL IN BELOW.

2 pc ECU Branch - Shifter

Variables	Information	Constraint	Measure
DIM X	Optional - ONLY IF 2pc CONFIG	400 - 15000 mm Enter '0' if not required	

WT3 Drawing Detail - Vehicle

Date: _____

Variables	Information	Constraint	Measure
VIM	Mandatory	400 - 15000 mm	
VIW V	Mandatory	400 - 15000 mm	
TPS	Optional	400 - 5000 mm Enter '0' if not required	

IS THIS A 1pc CONFIGURATION? ___ YES ___ NO.
IF NO, YOU MUST FILL IN BELOW.

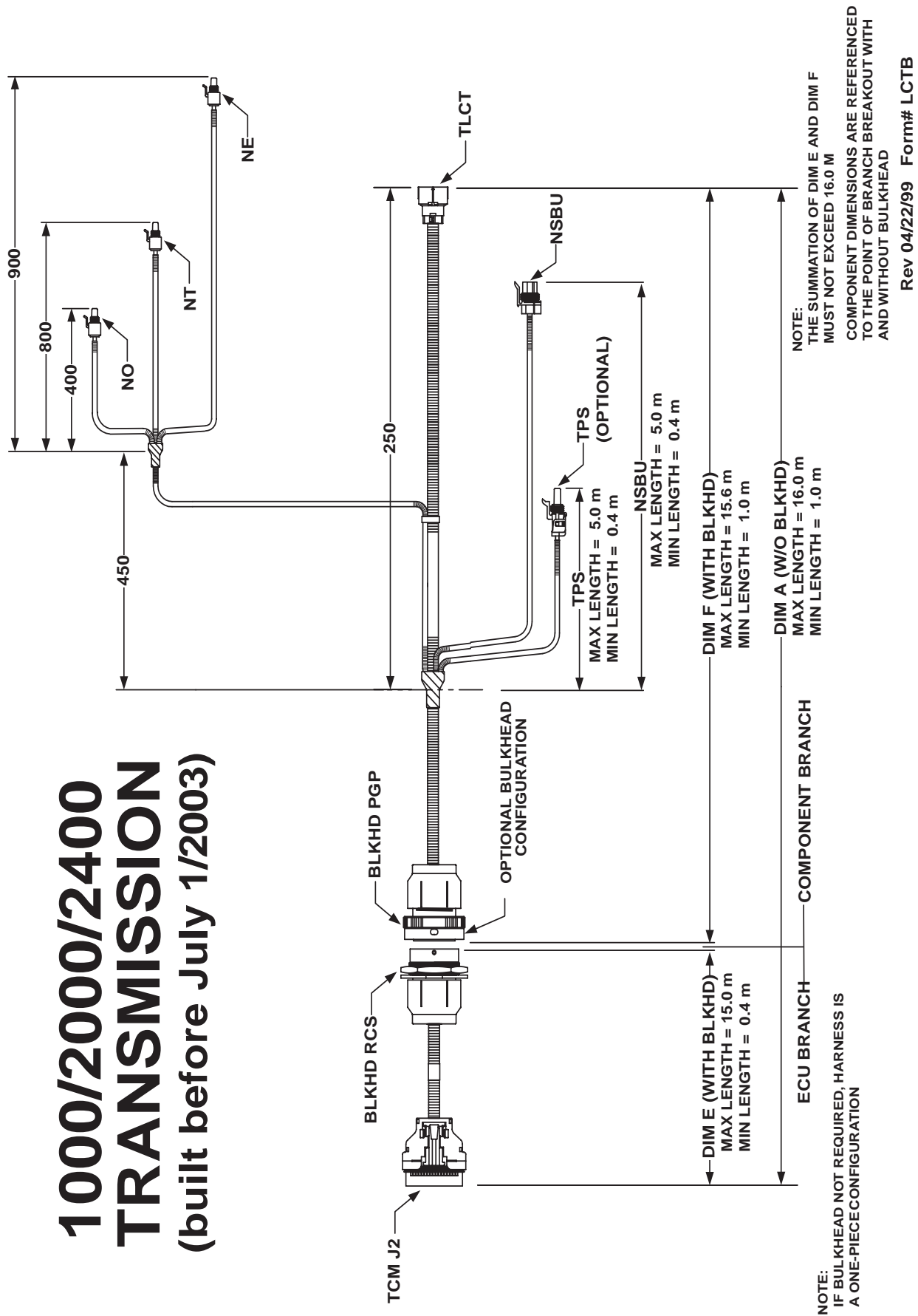
2 pc ECU Branch - Vehicle

Variables	Information	Constraint	Measure
DIM Y	Optional - ONLY IF 2pc CONFIG	400 - 15000 mm Enter '0' if not required	

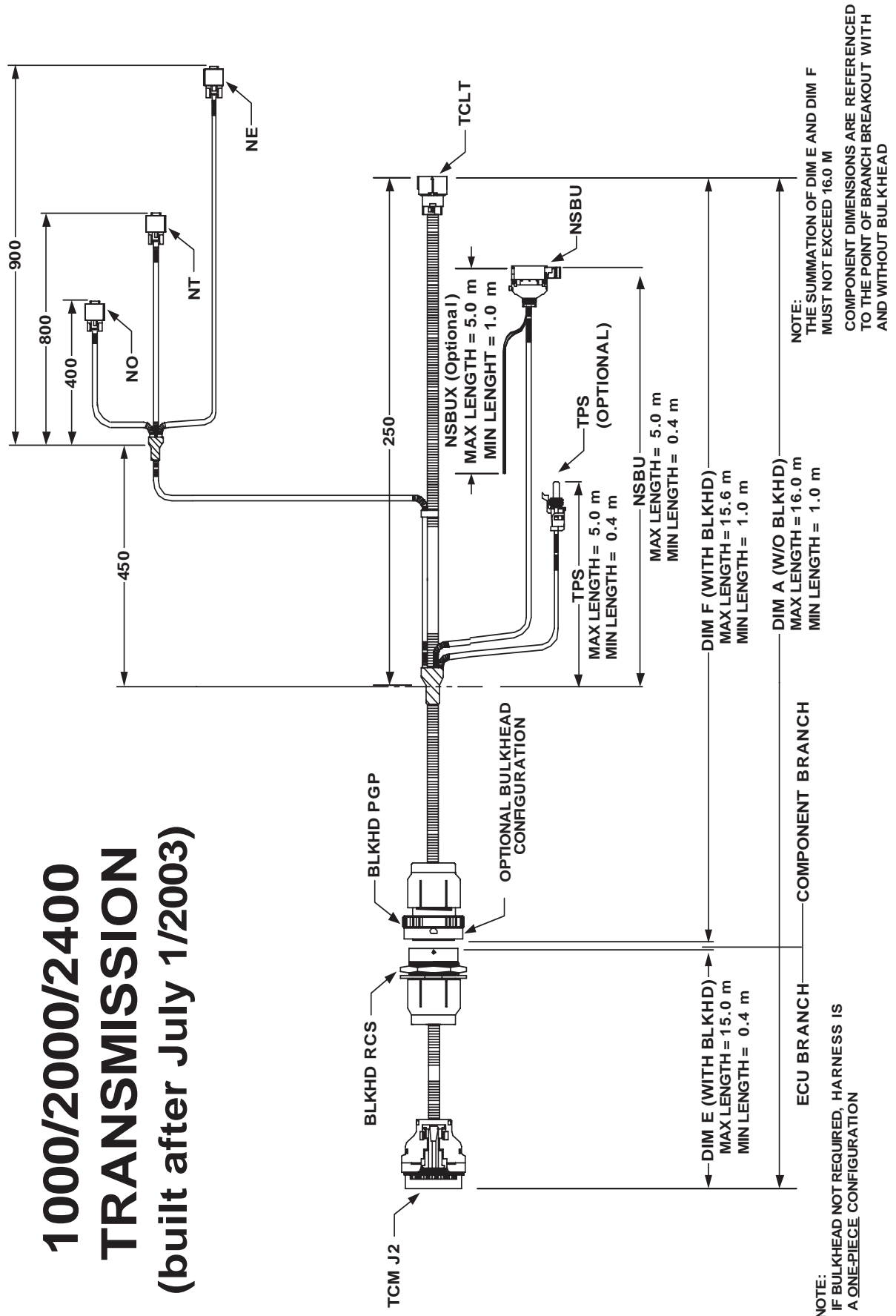
Rev date : 04-22-99 Form# WT3C

1000/2000/2400 Customer Specification Sheet - Transmission

**1000/2000/2400
TRANSMISSION**
(built before July 1/2003)



1000/2000/2400 Customer Specification Sheet - Transmission

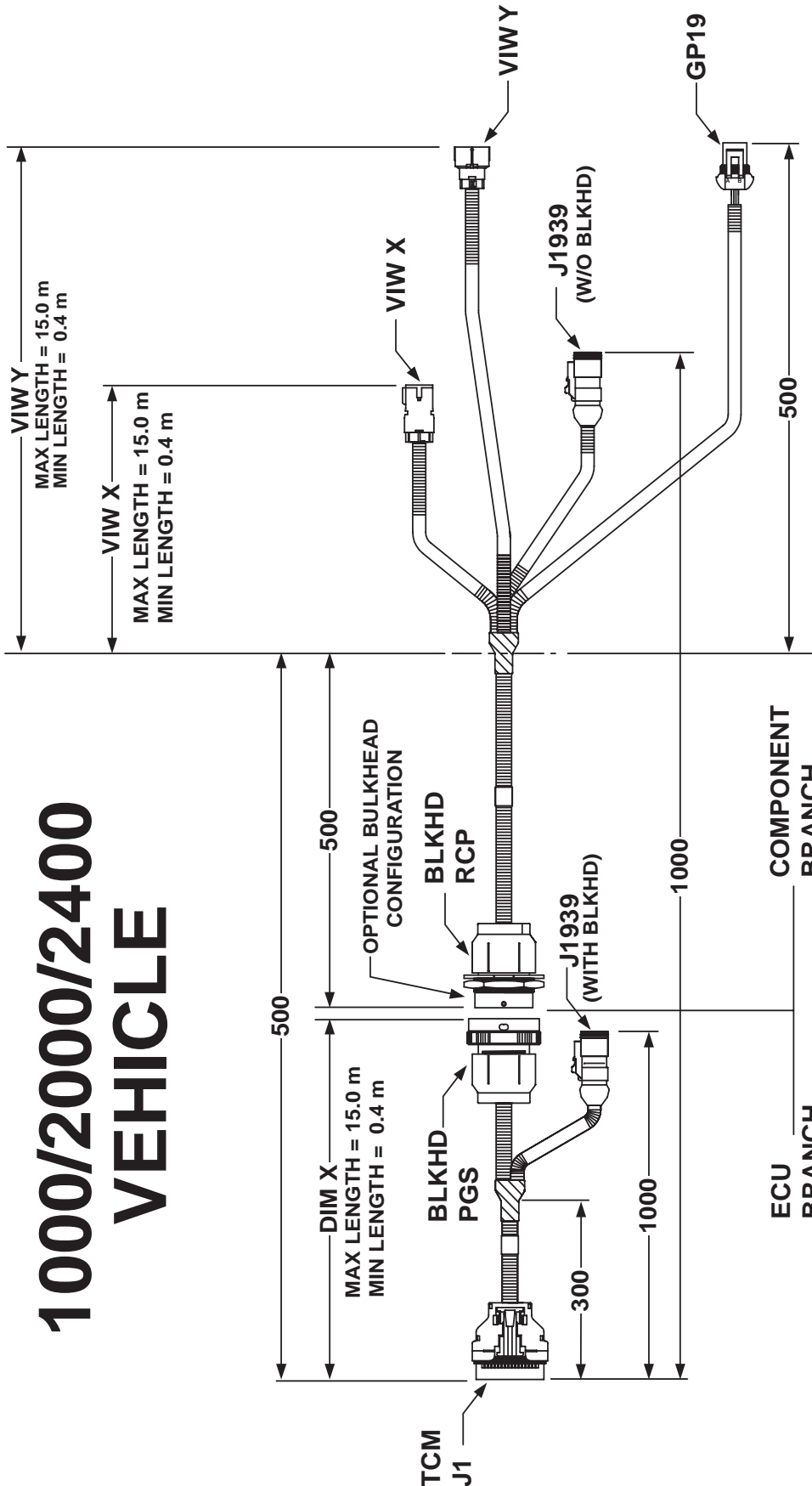


**1000/2000/2400
TRANSMISSION
(built after July 1/2003)**

NOTE:
IF BULKHEAD NOT REQUIRED, HARNESS IS
A ONE-PIECE CONFIGURATION

Rev 04/22/99 Form# LCTB

1000/2000/2400 Customer Specification Sheet - Vehicle



NOTE:
THE SUMMATION OF DIM E AND DIM F
MUST NOT EXCEED 16.0 M

COMPONENT DIMENSIONS ARE REFERENCED
TO THE POINT OF BRANCH BREAKOUT WITH
AND WITHOUT BULKHEAD

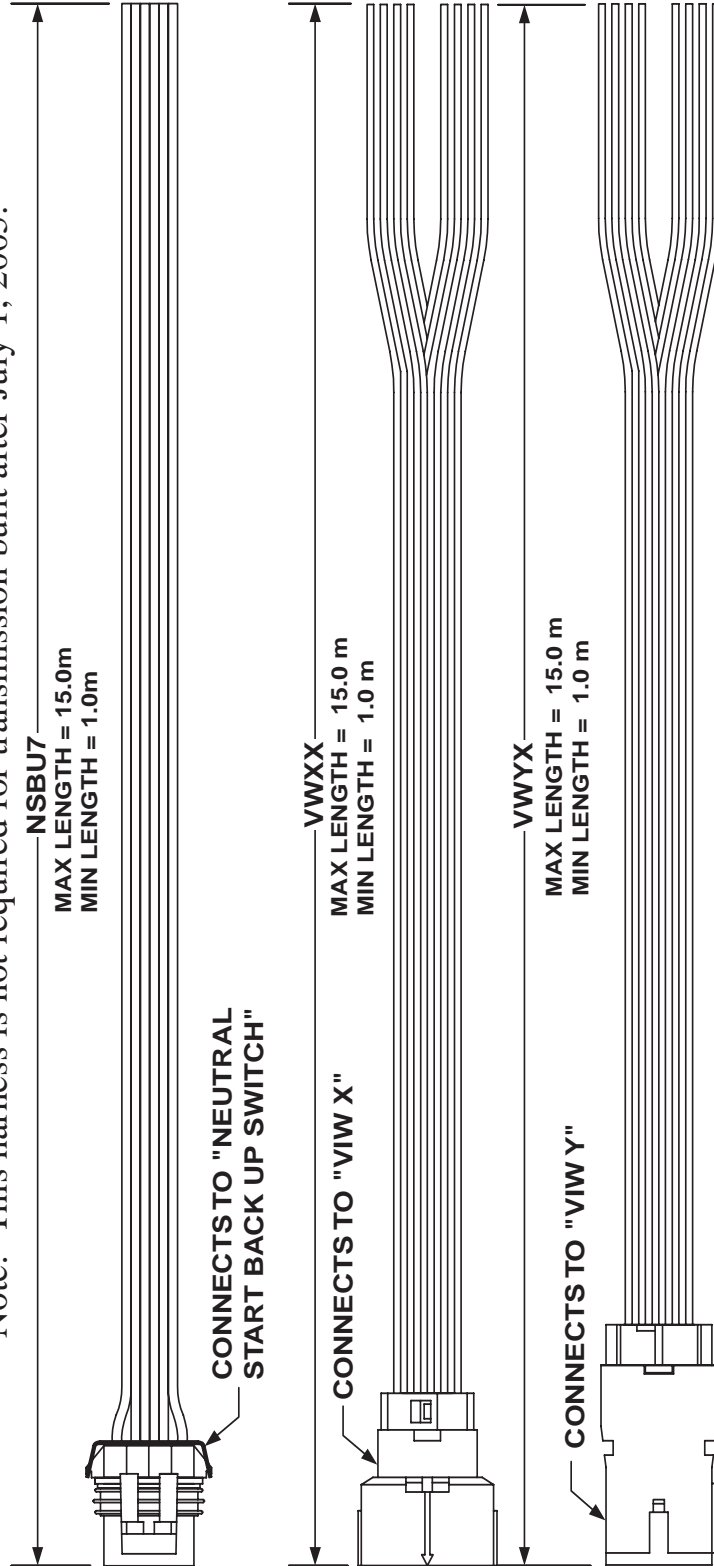
Rev 04/22/99 Form# LC2A

NOTE:
IF BULKHEAD NOT REQUIRED, HARNESS IS
A ONE-PIECE CONFIGURATION

1000/2000/2400 Customer Specification Sheet - Input

1000/2000/2400 INPUT HARNESSES

Note: This harness is not required for transmission built after July 1, 2005.



Variable	Information	Constraint	Measure
VWXX	Mandatory	1000 - 15000 mm	
VWYX	Mandatory	1000 - 15000 mm	
NSBU7	Mandatory	1000 - 15000 mm	

Rev 03/16/00 Form# LCTE

1000/2000/2400 Customer Specification Sheet - Transmission

1000/2000 Drawing Detail - Vehicle

Date: _____

Variables	Information	Constraint	Measure
VIW X	Mandatory	400 - 20000 mm	
VIW Y	Mandatory	400 - 15000 mm	
GP19	Mandatory	Length Not Optional	
J1939	Mandatory	Length Not Optional	

IS THIS A 1pc CONFIGURATION? ___ YES ___ NO.
IF NO, YOU MUST FILL IN BELOW.

2 pc ECU Branch - Vehicle

Variables	Information	Constraint	Measure
DIM X	Optional - ONLY IF 2pc CONFIG	400 - 15000 mm Enter '0' if not required	

1000/2000/2400 Drawing Detail - Transmission

(built after July 1 2003)

Date: _____

Transmission Type/Model: _____

Variables	Information	Constraint	Measure
TPS	Optional	400 - 5000 mm Enter '0' if not required	
NSBU	Mandatory	400 - 5000 mm	
NSBUX	Optional	1000 - 5000 mm Enter '0' if not required	
DIM A	1pc	1000 - 16000 mm	CHOOSE 1 ONLY
DIM F	2pc COMP	1000 - 15600 mm	

IS THIS A 1pc CONFIGURATION? ___ YES ___ NO. IF NO, YOU MUST FILL IN BELOW.

2 pc ECU Branch - Transmission

Variables	Information	Constraint	Measure
DIM E	2pc ECU	400 - 15000 mm	

1000/2000/2400 Customer Specification Sheet - Transmission

1000/2000 Drawing Detail - Transmission

(for transmissions built before July 1/03)

Date: _____

Transmission Type/Model: _____

Variables	Information	Constraint	Measure
TPS	Optional	400 - 5000 mm Enter '0' if not required	
NSBU	Mandatory	400 - 5000 mm	
DIM A	1pc	1000 - 16000 mm	CHOOSE 1 ONLY
DIM F	2pc COMP	1000 - 15600 mm	

IS THIS A 1pc CONFIGURATION? ___ YES ___ NO. IF NO, YOU MUST FILL IN BELOW.

2 pc ECU Branch - Transmission

Variables	Information	Constraint	Measure
DIM E	2pc ECU	400 - 15000 mm	

Rev date : 07-01-03 Form# LCTD

WT Adaptor Harnesses

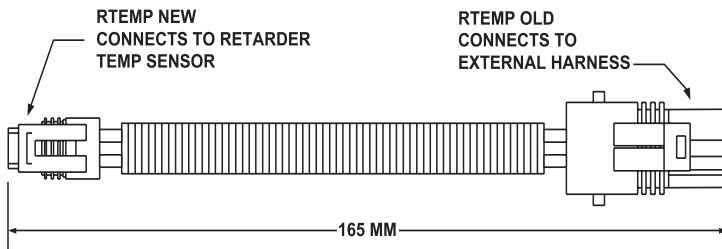
STC# 200175 - Retarder Temperature Sensor Adaptor

ATD# N/A

Adapts harnesses prior to Jan 1/98 to transmissions built after Jan 1/98.

(Retarder Models Only)

NOTE: There is no reverse to this adaptor.

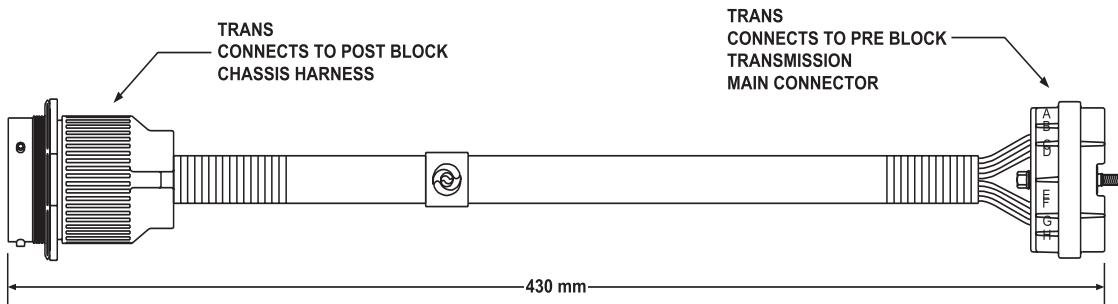


STC# 100268 - Pre Block to Post Block

ATD# 29519210

Adapts harnesses built after 1995 model year to transmissions built before 1995 model year.

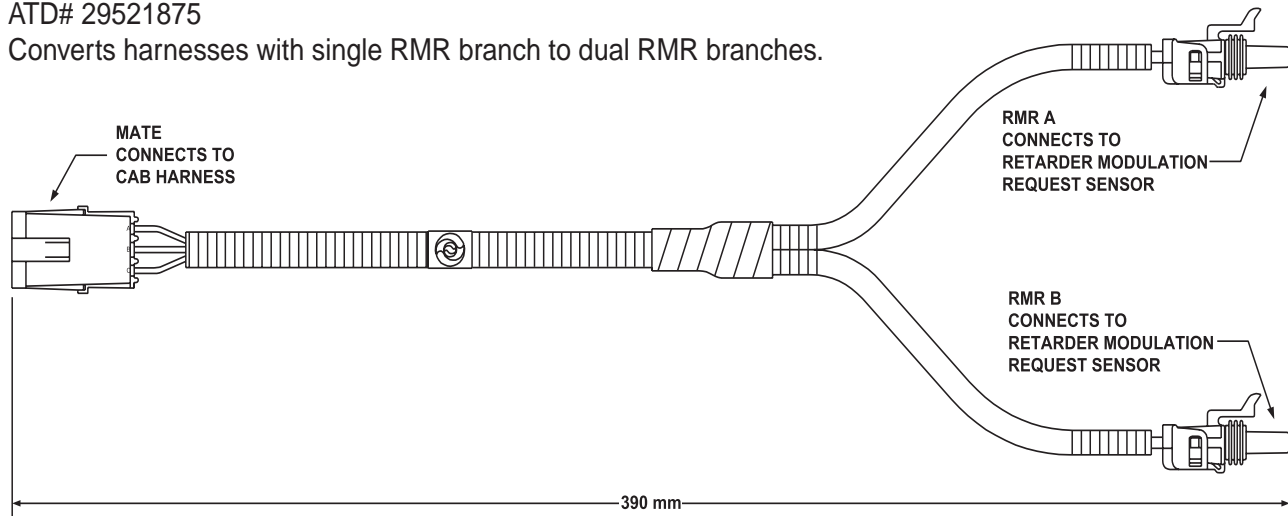
NOTE: There is no reverse to this adaptor.



STC# 100563 - RMR Adaptor

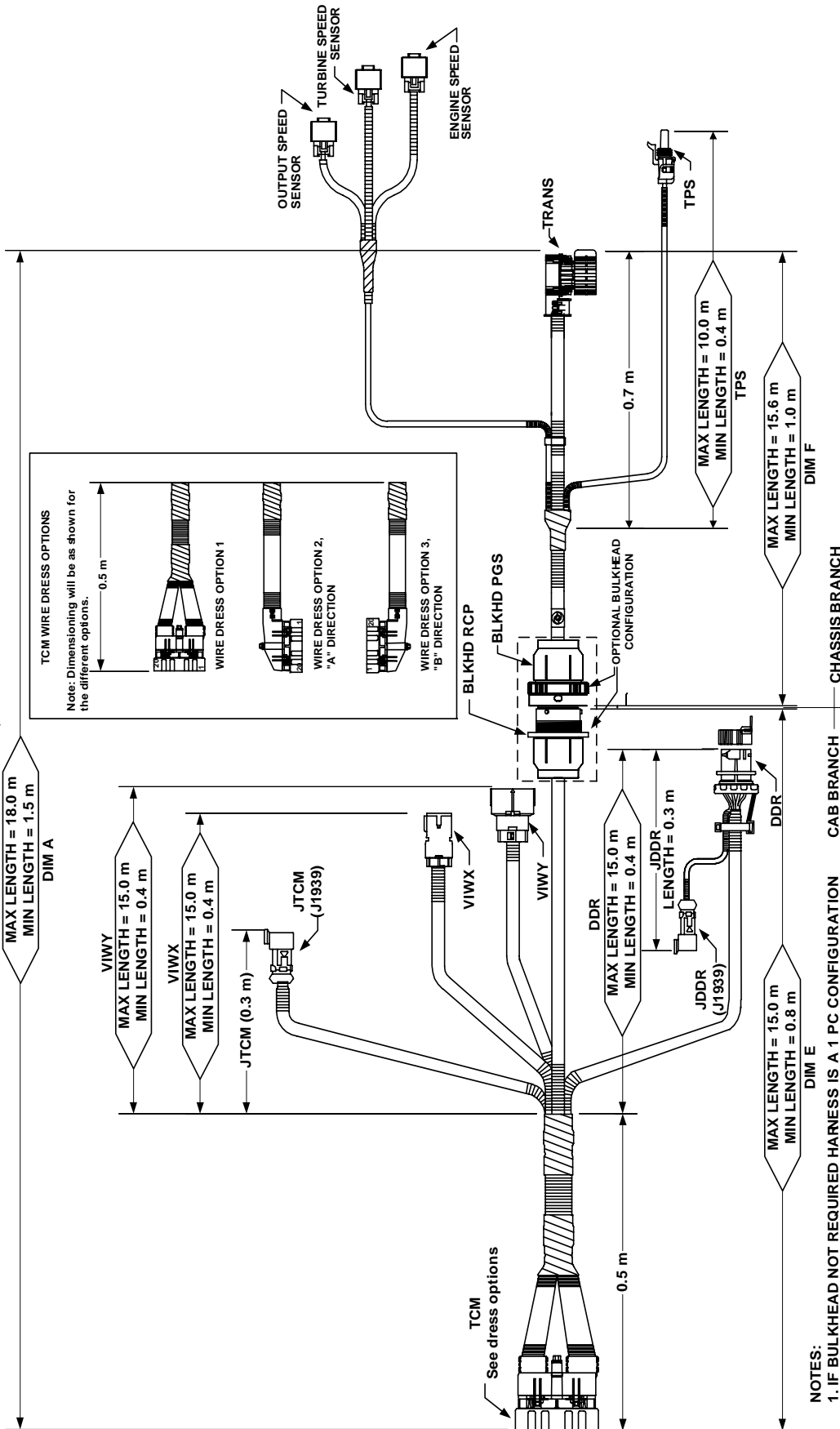
ATD# 29521875

Converts harnesses with single RMR branch to dual RMR branches.



GEN4 Customer Specification Sheet - Transmission Harness

GEN 4 1K/2K - 1PC, CAB OR CHASSIS



- NOTES:
1. IF BULKHEAD NOT REQUIRED HARNESS IS A 1 PC CONFIGURATION
 2. THE TOTAL LENGTH OF DIM E & F OR DIM A SHOULD NOT EXCEED 12.2M PER ALLISON TRANSMISSION SPECIFICATIONS
 3. THE TOTAL LENGTH OF VIWX SHOULD NOT EXCEED 7.0M PER ALLISON TRANSMISSION SPECIFICATIONS

Rev 02/05/07 Form# GEN4 1K-2K-01

GEN4 Customer Specification Sheet - Transmission Harness

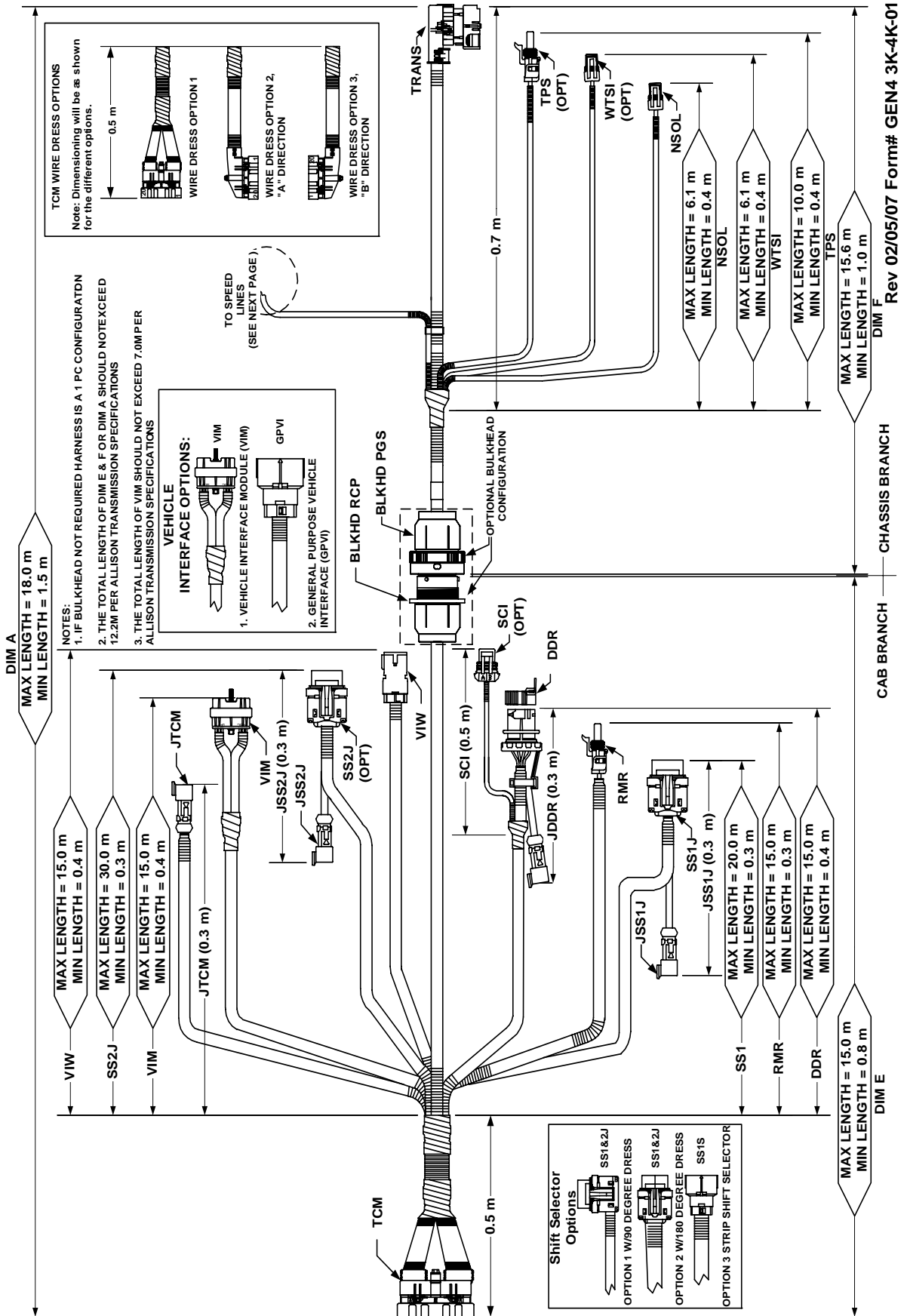
GEN 4 - 1000/2000 (Chart 260000) - Drawing Detail

Date: _____

Variables	Information	Constraint	Measure	
DIM "A"	1 Pc	1500 - 18000 mm		CHOOSE 1 ONLY
DIM "E"	2 Pc - Cab	800 - 15000 mm		
DIM "F"	2 Pc - Chassis	1000 - 15600 mm		
TCM Backshell Type	(1 pc & Cab only)	OPTION 1 (Straight)	0	CHOOSE 1 ONLY
		OPTION 2 ("A" Dress)	0	
		OPTION 3 ("B" Dress)	0	
VIW X	Mandatory (1 pc & Cab only)	400 - 15000 mm		
VIW Y	Mandatory (1 pc & Cab only)	400 - 15000 mm		
DDR	Mandatory (1 pc & Cab only)	400 - 15000 mm		
TPS	Optional (1 pc & Chassis only)	400 - 10000 mm		

GEN4 Customer Specification Sheet - Transmission Harness

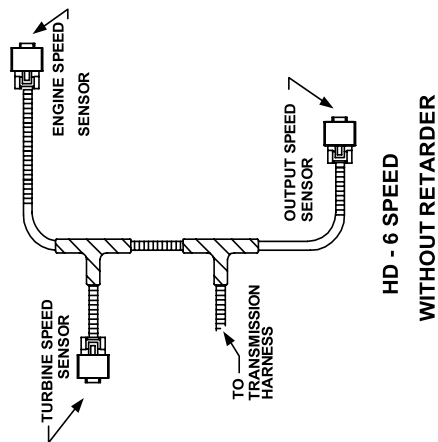
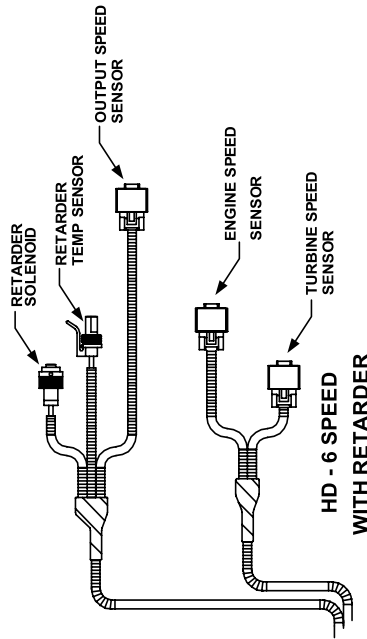
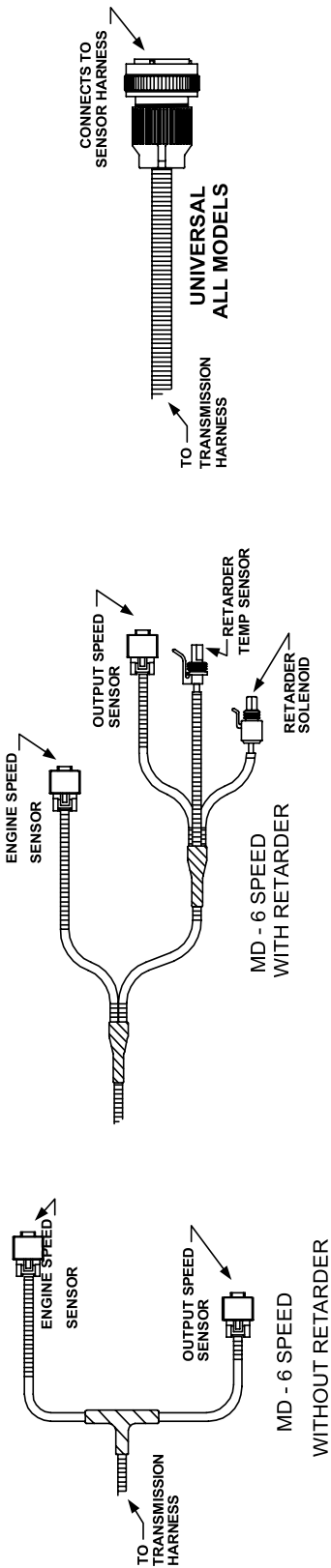
GEN 4 3K/4K - 1PC, CAB OR CHASSIS



Rev 02/05/07 Form# GEN4 3K-4K-01

GEN4 Customer Specification Sheet - Transmission Harness

TRANSMISSION Gen 4 SPEED LINE CONFIGURATIONS



Rev 05/17/05 Form# GEN4 3K-4K-05

GEN 4 - 3000/4000 - Drawing Detail

Transmission Model _____

Date: _____

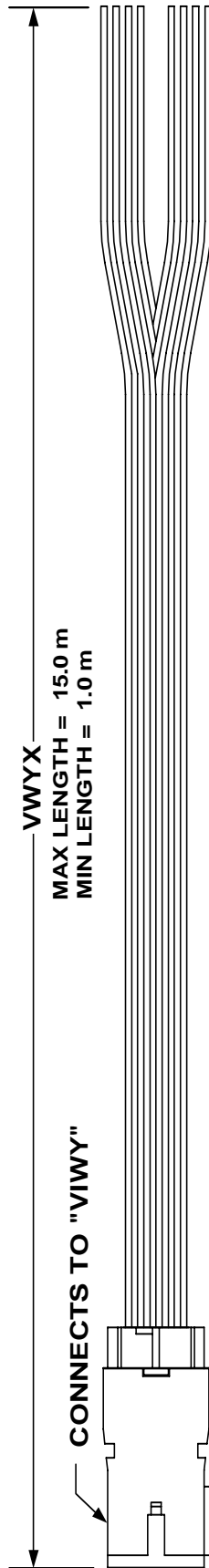
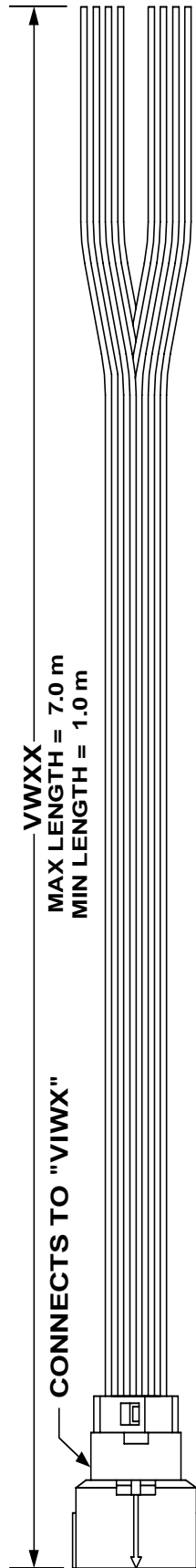
Transmission Type (Choose 1 Only)

- 3000 (MD) - Non Retarder (CHART 230004)
- 3000 (MDR) - With Retarder (CHART 230003)
- 4000 (HD) - Non Retarder (CHART 230002)
- 4000 (HDR) - With Retarder (CHART 230001)
- Universal (7speed models) (CHART 230005)
- Universal (Non-7speed models) (CHART 230006)

Variables	Information	Constraint	Measure	
DIM "A"	1 Pc	1500 - 18000 mm		CHOOSE 1 ONLY
DIM "E"	2 Pc - Cab	800 - 15000 mm		
DIM "F"	2 Pc - Chassis	1000 - 15600 mm		
TCM Backshell Type	(1 pc & Cab only)	Straight	<input type="radio"/>	CHOOSE 1 ONLY
		"A" Dress	<input type="radio"/>	
		"B" Dress	<input type="radio"/>	
VIM	Mandatory (1 pc & Cab only)	400 - 15000 mm		
	VEHICLE INTERFACE TYPE	Standard (for use with VIM box) General Purpose (GPVI)	<input type="radio"/> <input type="radio"/>	CHOOSE 1 ONLY
VIW	Mandatory (1 pc & Cab only)	400 - 15000 mm		
DDR	Mandatory (1 pc & Cab only)	400 - 15000 mm		
SS1	Mandatory (1 pc & Cab only)	300 - 20000 mm		
	SS1 (Shifter 1) Type	Straight back shell/J1939 90 Degree back shell/J1939 Strip/Non J1939	<input type="radio"/> <input type="radio"/> <input type="radio"/>	CHOOSE 1 ONLY
SS2	Optional (1 pc & Cab only)	300 - 30000 mm Enter '0' if not required		
	SS2 (Shifter 2) Type	Straight back shell/J1939 90 Degree back shell/J1939	<input type="radio"/> <input type="radio"/>	CHOOSE 1 ONLY
TPS	Optional (1 pc & Chassis)	400 - 10000 mm Enter '0' if not required		
SCI	Optional (1 pc & Cab only)	Fixed at 500		
WTSI	Optional (1 pc & Chassis)	400 - 6100 mm Enter '0' if not required		
RMR	Mandatory (1 pc & Cab only)	300 - 15000 mm Enter '0' if not required		Retarder Models Only
NSOL	Mandatory (1 pc & Chassis)	400 - 6100 mm		

GEN4 Customer Specification Sheet - Input Harness

GEN4 1000 / 2000 INPUT HARNESSSES

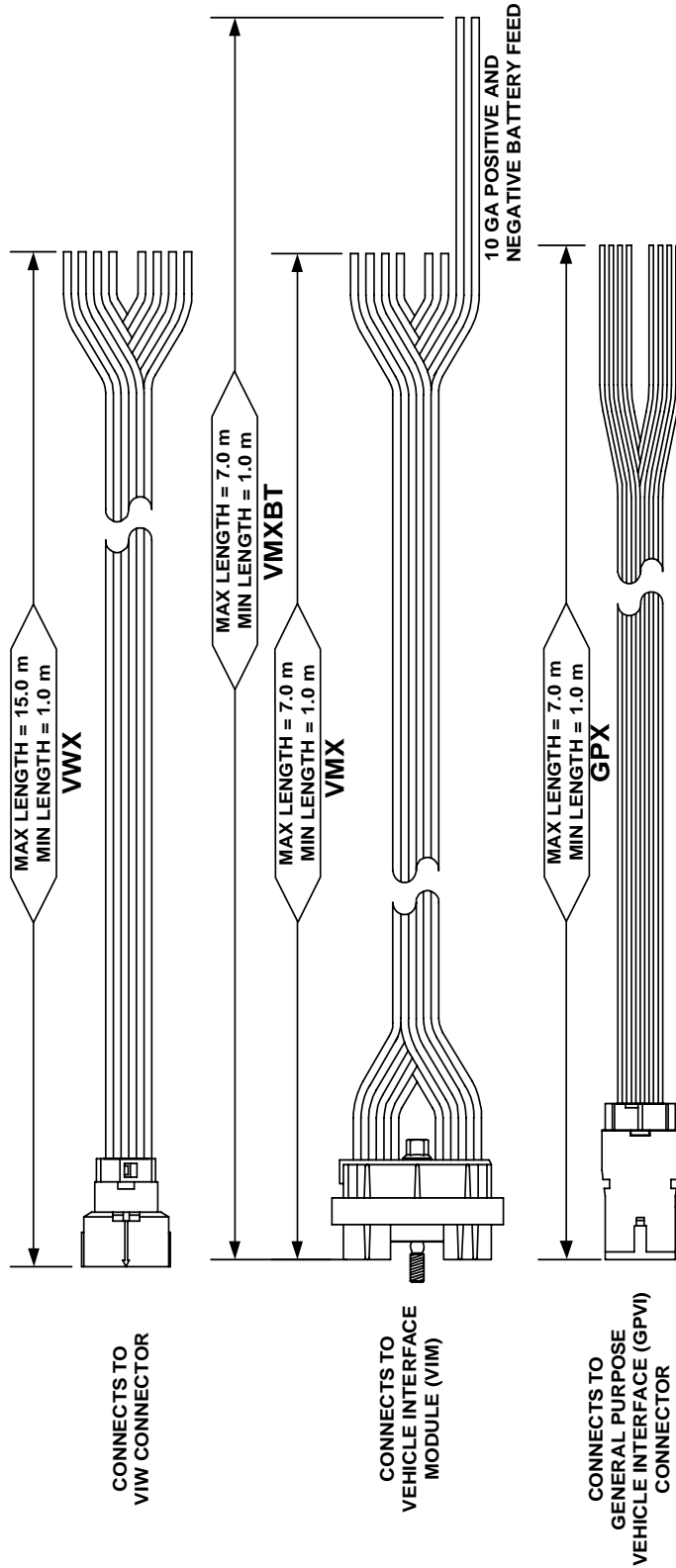


Variable	Information	Constraint	Measure
VWXX	Mandatory	1000 - 7000 mm	
VWYX	Mandatory	1000 - 15000 mm	

Rev 05/05/05 Form# 1K-2K

GEN4 Customer Specification Sheet - Input Harness

GEN 4 3000/4000 - INPUT HARNESSSES

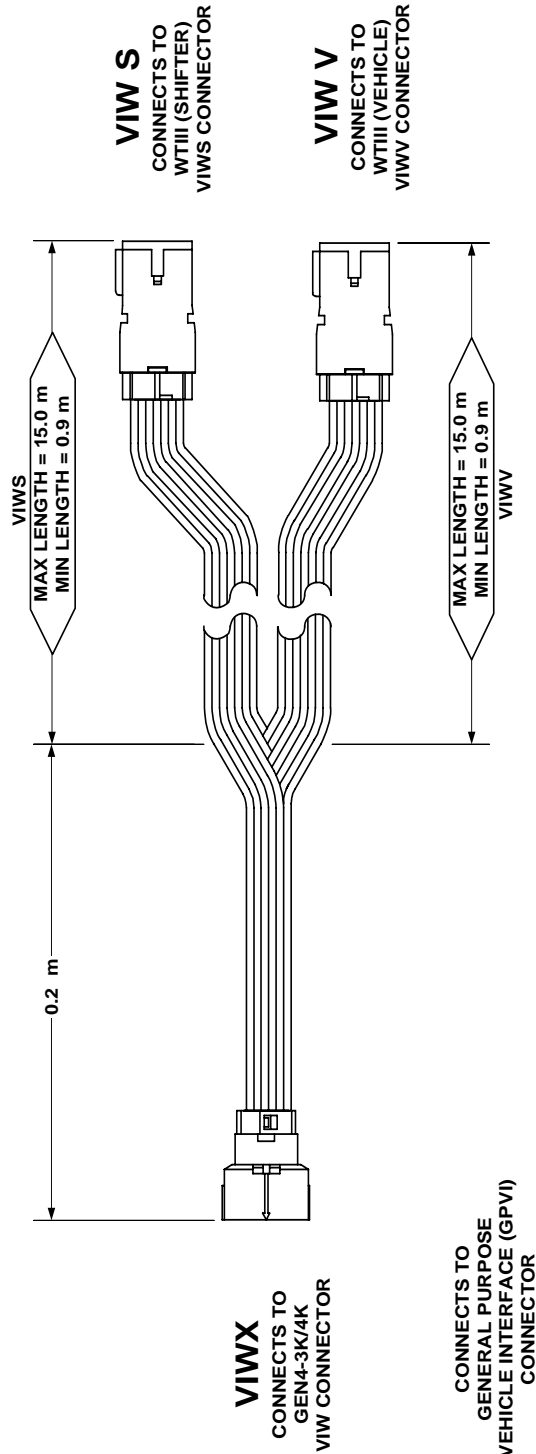


Variable	Information	Constraint	Measure
VW X	Mandatory	1000 - 15000 mm	
VMX	Mandatory	1000 - 7000 mm	
VMXB	Mandatory	1000 - 7000 mm	
GPX	GPVI OPTION ONLY	1000 - 7000 mm	

GEN4 Customer Specification Sheet - Jumper Harness

GEN 4 3000/4000

GEN4-WTIII VIW INTERFACE JUMPER HARNESS

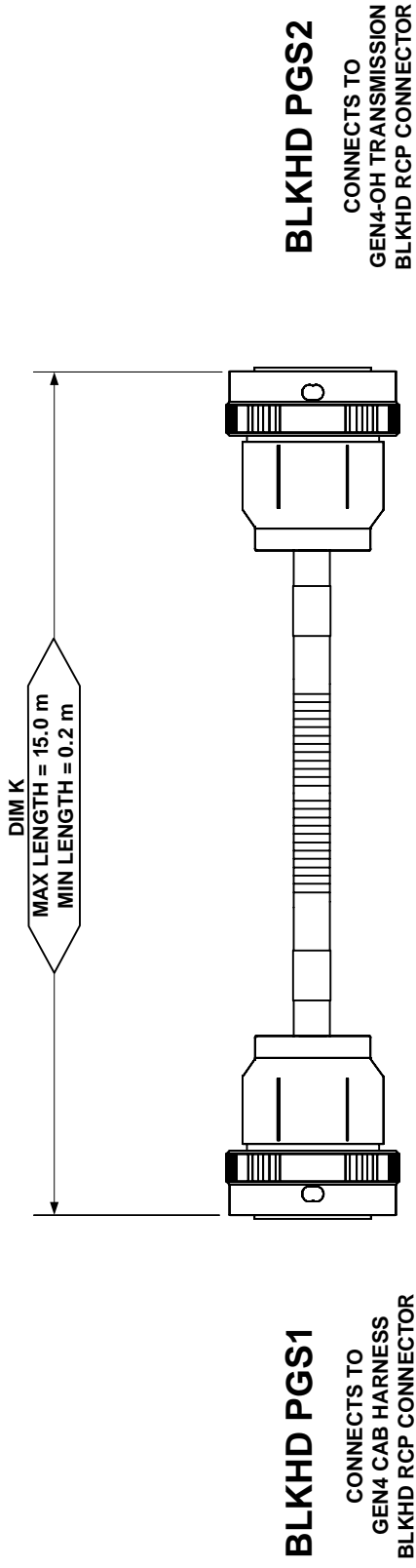


Variable	Information	Constraint	Measure
VIW S	Mandatory	1000 - 15000 mm	
VIW V	Mandatory	1000 - 15000 mm	

Rev 05/17/05 Form# GEN4 3K-4K-04

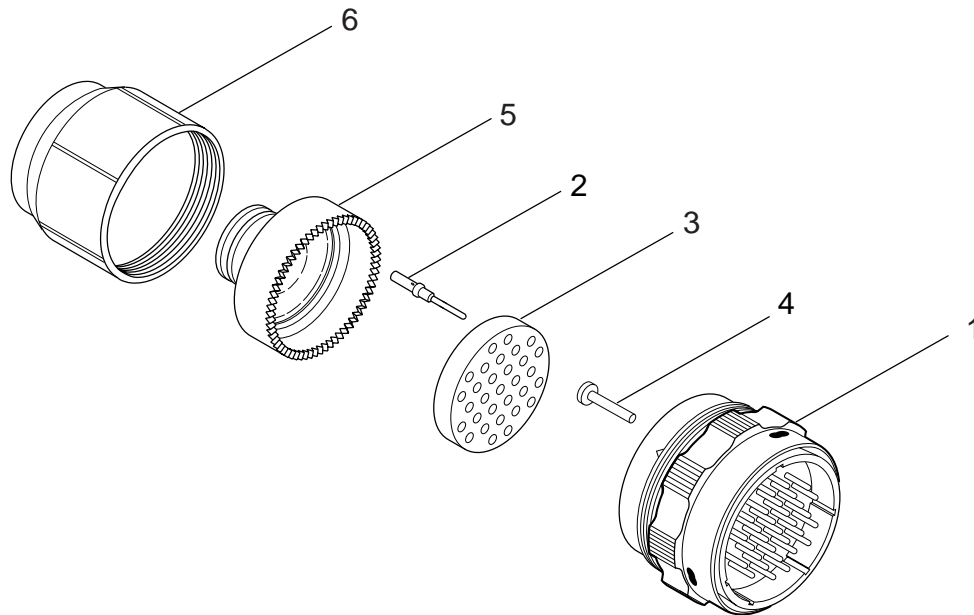
ALLISON GEN 4

GEN4 - UNIV CAB TO OH TRANS EXTENSION



Variable	Information	Constraint	Measure
DIM K	Mandatory	200 - 15000 mm	

NOTE:
THE TOTAL MAXIMUM LENGTH FROM THE TCM TO THE TRANSMISSION
SHOULD NOT EXCEED 12.2M PER ALLISON TRANSMISSION SPECIFICATIONS.

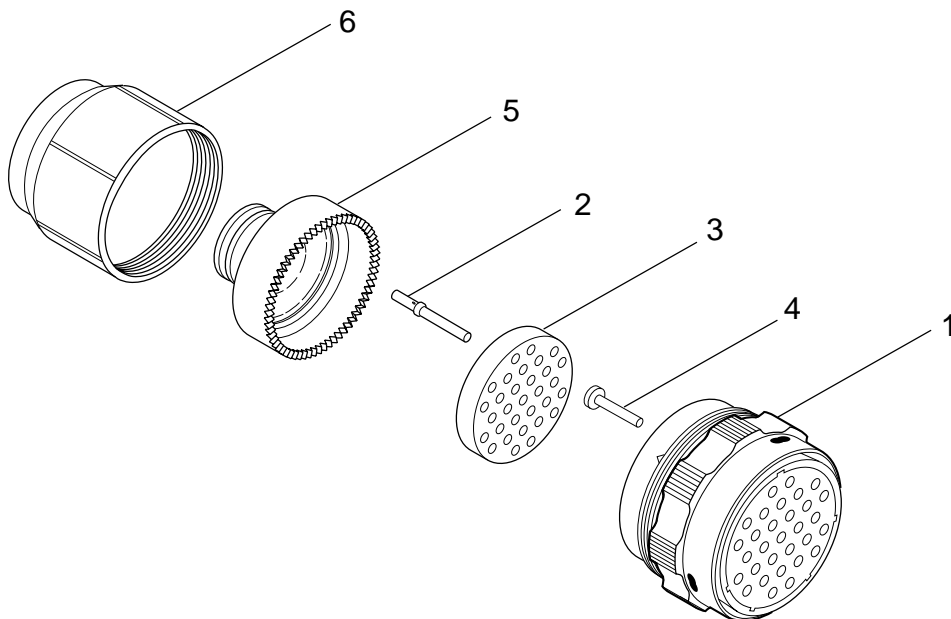


Bulkhead - Plug with Pins (PGP)
(WTEC II, III & 1000/2000/2400)

Ref #	Description	Part Numbers			QTY
		St. Clair	ATD	Mfr	
1	Connector, Plug, 31-Way	300010	29511855	WTC06B24-31PN	1
2	Contact, Pin #16	300007	29542586	15424453	40
3	Grommet, Backshell #24	300015	29541280	15486971	1
4	Sealing Plug	300008	N/A	12034413	15
5	Follower, Backshell, 24/19	300014	29541281	15480528	1
6	Housing, Backshell, 24/19	300013	29521284	15417551	1
7	Extraction/Insertion Tool	300197	N/A	M15570-16	2
*	Service Kit	300129	N/A	1	

Repair Tools

Description	Power & Signal Part Number
Crimping Tool Die Set	HC100 HT51602447-5

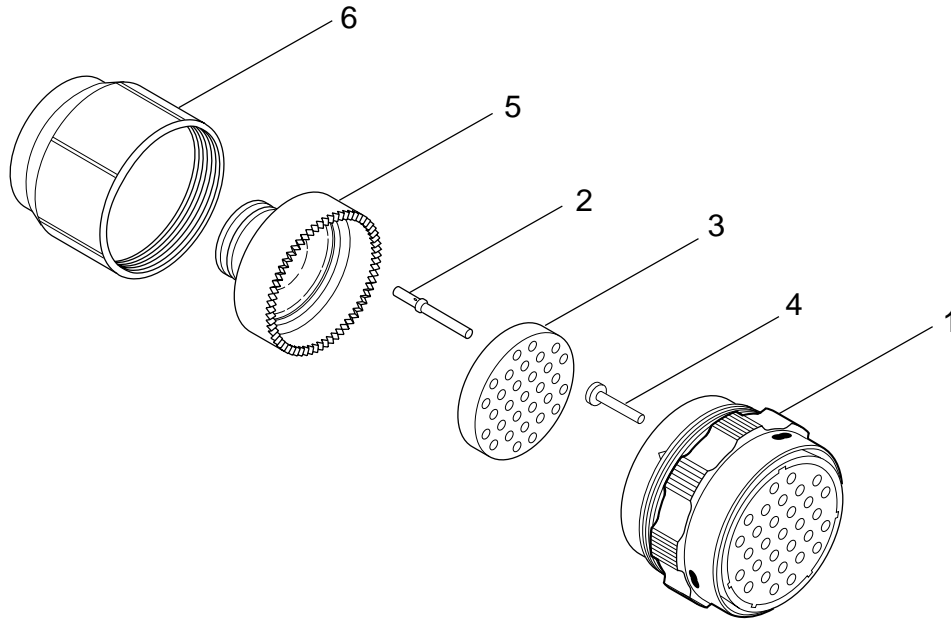


Bulkhead - Plug with Sockets (PGS)
 (WTEC III, 1000/2000/2400 & GEN4)
Transmission Feedthru
 (WTEC II & III)

Ref #	Description	Part Numbers			QTY
		St. Clair	ATD	Mfr	
1	Connector, Plug, 31-Way	300004	29511365	WTC06B24-31SN	1
2	Contact, Socket #16	300005	29542587	15424450	24
3	Grommet, Backshell #24	300015	29541280	15486971	1
4	Sealing Plug	300008	N/A	12034413	16
5	Follower, Backshell, 24/19	300014	29541281	15480528	1
6	Housing, Backshell, 24/19	300013	29541284	15417551	1
7	Extraction/Insertion Tool	300197	N/A	M15570-16	2
8	Instruction Sheet	300233	29519127	29519127	1
*	Service Kit	300130	N/A		1

Repair Tools

Description	Power & Signal Part Number
Crimping Tool	HC100
Die Set	HT51602447-5

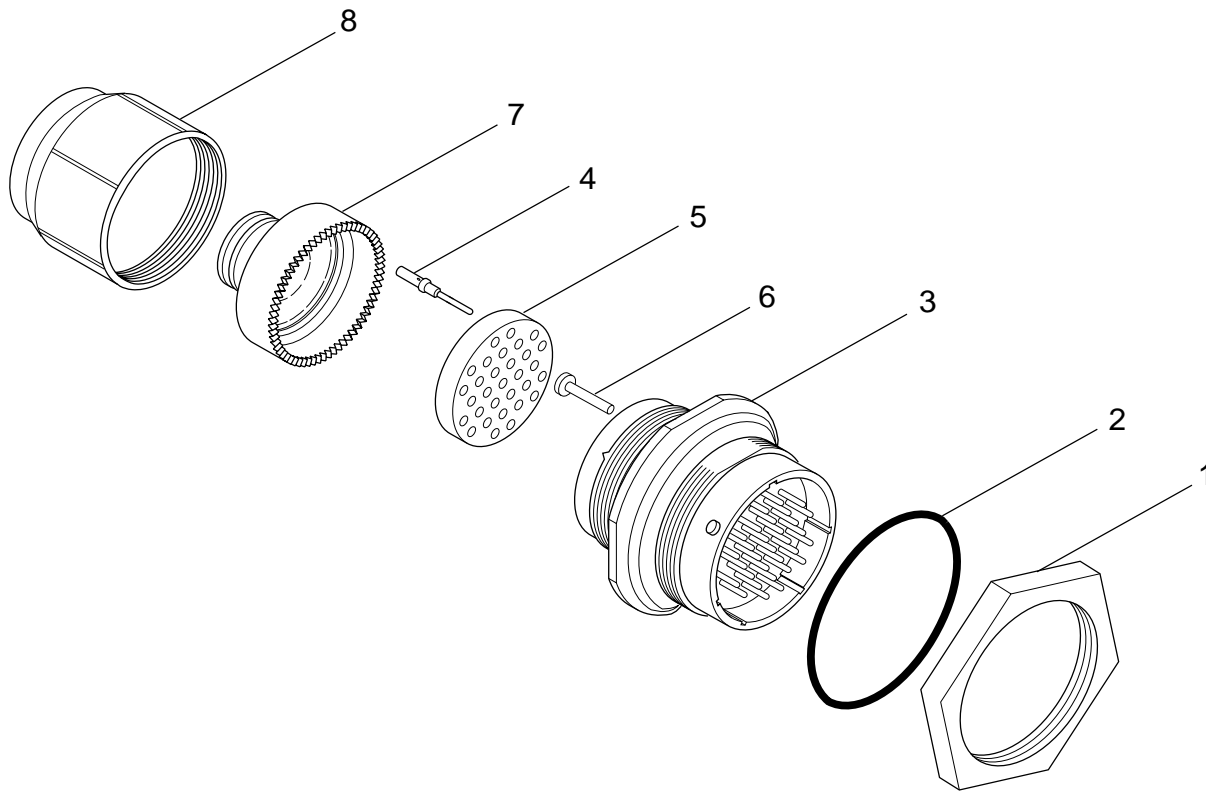


Bulkhead - Plug with Sockets (PGS)
(WTEC II)

Ref #	Description	Part Numbers			QTY
		St. Clair	ATD	Mfr	
1	Connector, Plug, 31-Way	300004	29511365	WTC06B24-31SN	1
2	Contact, Socket #16	300005	29542587	15424450	40
3	Grommet, Backshell #24	300015	29541280	15486971	1
4	Sealing Plug	300008	N/A	12034413	15
5	Follower, Backshell, 24/22	300052	29520049	15480529	1
6	Housing, Backshell, 24/22	300053	29514043	WTA10-24-01/22	1
7	Extraction/Insertion Tool	300197	N/A	M15570-16	2
*	Service Kit	300198	N/A		1

Repair Tools

Description	Power & Signal Part Number
Crimping Tool Die Set	HC100 HT51602447-5

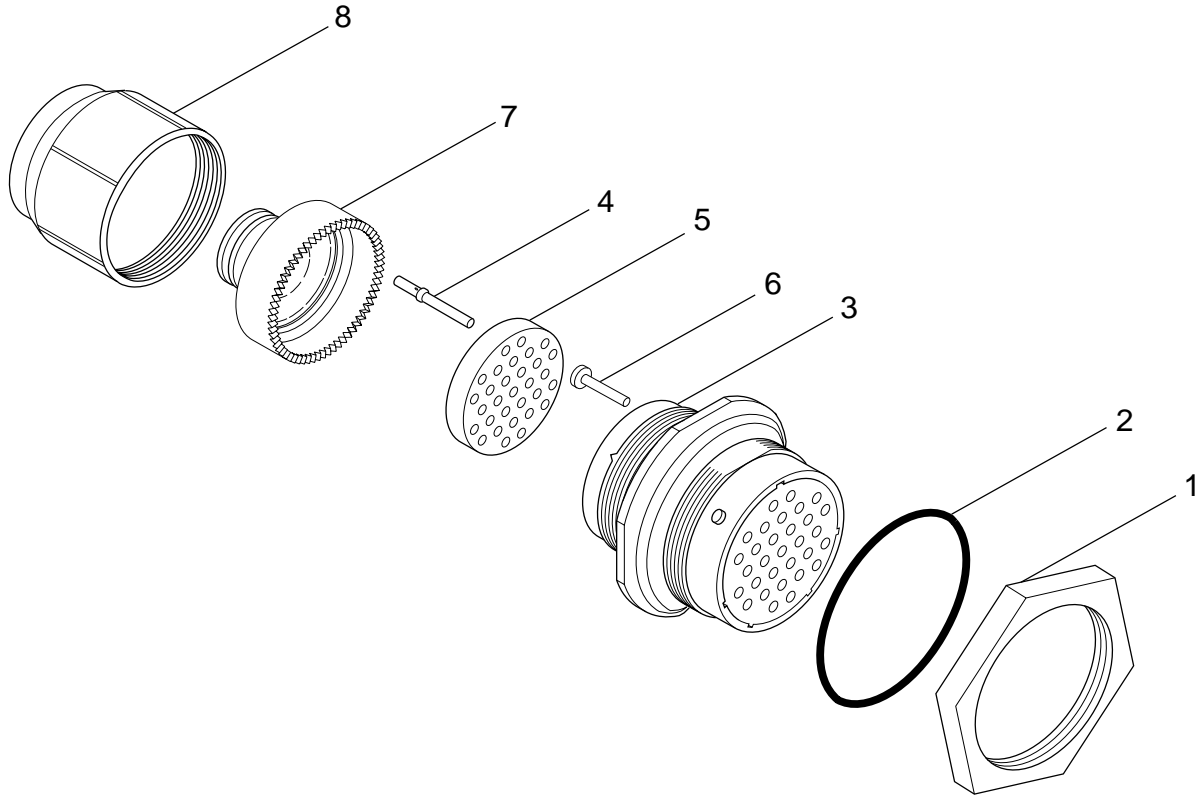


Bulkhead - Receptacle with Pins (RCP)
(WTEC III & GEN4)

Ref #	Description	Part Numbers			QTY
		St. Clair	ATD	Mfr	
1	Nut, Panel	300033	29544003	0926-208-2401	1
2	O-Ring	300012	29512839	9013-3-0401	1
3	Connector, Receptacle, 31-Way	300006	29511368	WTC04B24-31PN	1
4	Contact, Pin #16	300007	29542586	15424453	40
5	Grommet, Backshell #24	300015	29541280	15486971	1
6	Sealing Plug	300008	N/A	12034413	15
7	Follower, Backshell, 24/22	300052	29520049	15480529	1
8	Housing, Backshell, 24/22	300053	29520050	WTA10-24-01/22	1
9	Extraction/Insertion Tool	300197	N/A	M15570-16	2
*	Service Kit	300131	N/A		1

Repair Tools

Description	Power & Signal Part Number
Crimping Tool Die Set	HC100 HT51602447-5



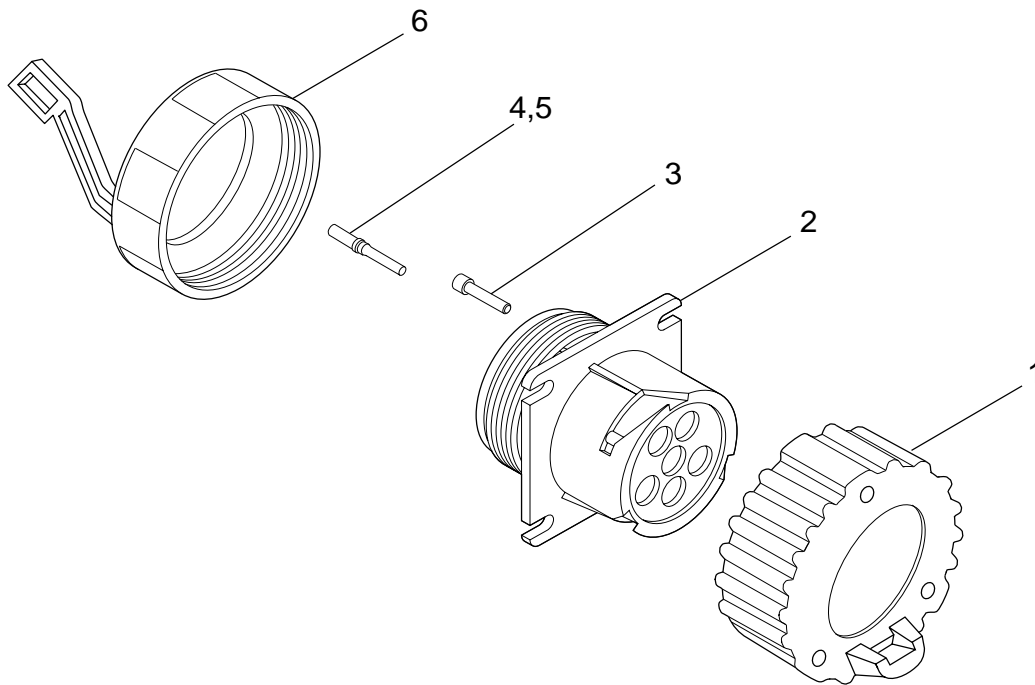
Bulkhead - Receptacle with Sockets (RCS)

(WTEC II, III & 1000/2000/2400)

Ref #	Description	Part Numbers			QTY
		St. Clair	ATD	Mfr	
1	Nut, Panel	300033	29544003	15496832	1
2	O-ring	300012	29512839	9013-3-0401	1
3	Connector, Receptacle, 31-Way	300009	29511854	WTC04B24-31SN	1
4	Contact, Socket #16	300005	29542587	15424450	40
5	Grommet, Backshell #24	300015	29541280	15486971	1
6	Sealing Plug	300008	N/A	12034413	15
7	Follower, Backshell, 24/19 (WTEC III)	300014	29541281	15480528	1
8	Housing, Backshell, 24/19 (WTEC III)	300013	29541284	15417551	1
9	Extraction/Insertion Tool	300197	N/A	M15570-16	2
*	Service Kit	300132	N/A		1

Repair Tools

Description	Power & Signal Part Number
Crimping Tool Die Set	HC100 HT51602447-5

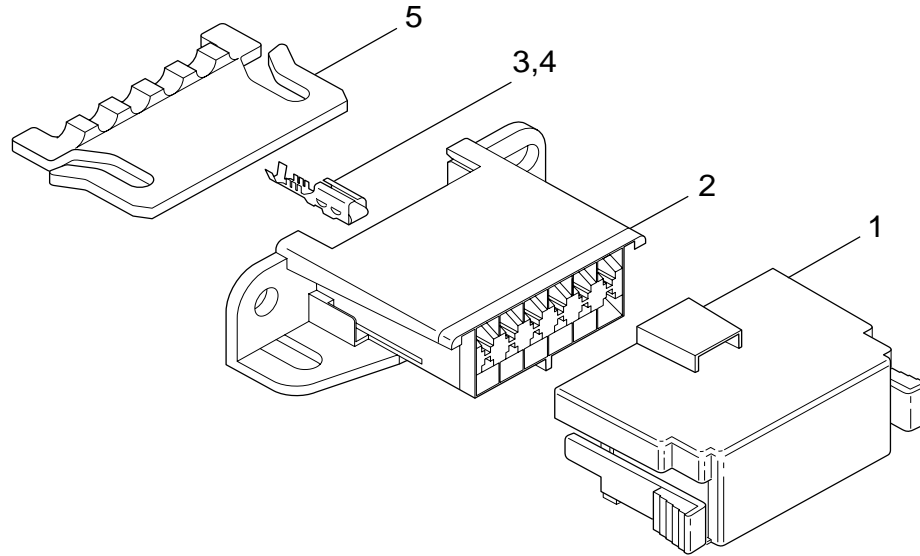


Diagnostic Data Reader - Deutsch
(WTEC II and III)

Ref #	Description	Part Numbers			QTY
		St. Clair	ATD	Mfr	
1	Cap, DDR Connector	300026	29521877	HDC16-6	1
2	Connector, Receptacle, 6-Way	300011	29512133	HD10-6-12P	1
3	Sealing Plug	300000	23016504	114017	4
4	Contact, Pin #12, 1-Wire	300016	N/A	0460-256-12233	8
5	Contact, Pin #12 (w/SCI) , 2-Wire (WTEC III)	300034	N/A	0460-220-1231	4
6	Backshell - Strain Relief	300025	29521260	HD18-006	1
7	Insert/Removal Tool	300210	N/A	114010	1
*	Service Kit	300137	N/A	N/A	1

Repair Tools

Description	Power & Signal Part Number
Crimping Tool Die Set	HC100 HT51602447-5

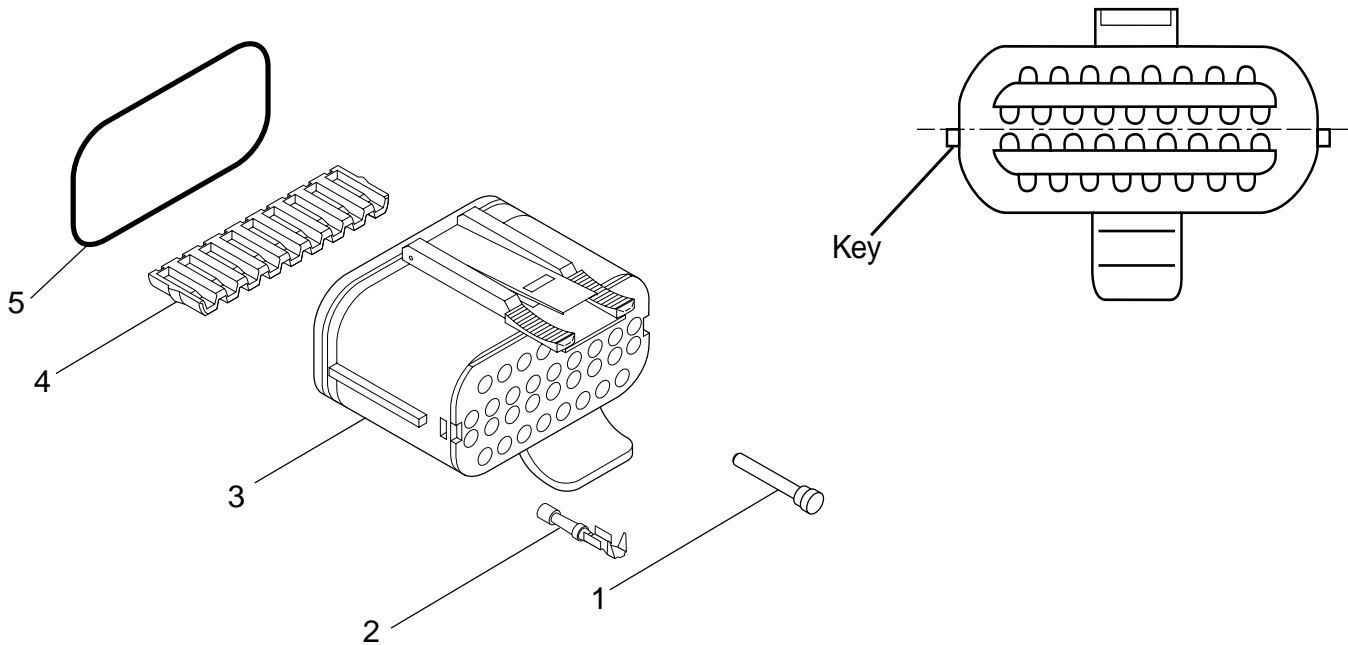


Diagnostic Data Reader - Packard
(WTEC II and III)

Ref #	Description	Part Numbers			QTY
		St. Clair	ATD	Mfr	
1	Cover, Connector	300080	12048107	12048107	1
2	Connector, 12-Way	300079	12048105	12048105	1
3	Terminal, 280F, 1-Wire	300069	12034046	12034046	8
4	Terminal, 280F (w/ SCI), 2-Wire (WTEC III)	300083	12066214	12066214	4
5	Lock, Secondary	300068	12020219	12020219	2
*	Service Kit	300138	N/A	N/A	1

Repair Tools

Description	Kent-Moore Part Number
Crimping Tool	J 38125-6 & 7
Removal Tool	J 38125-13

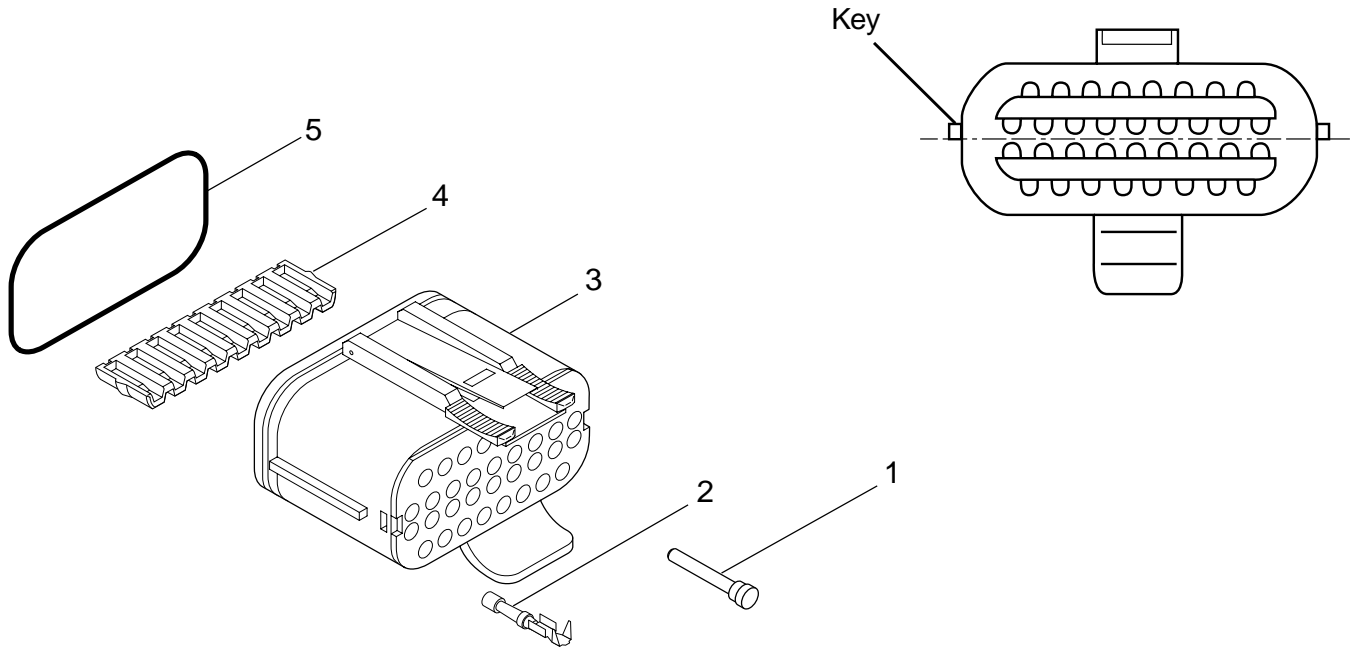


Electronic Control Unit - A (Black/White)
(WTEC II)

Ref #	Description	Part Numbers			QTY
		St. Clair	ATD	Mfr	
1	Plug, Cavity	300045	29500919	7B282	15
2	Terminal, Socket	300044	29500917	6D871-2-1-T	45
3	Connector, 34-Way, A	300042	29500915	6SD530 400134	1
4	Bar, Locking, 34-Way	300050	29503057	6SD729-07	1
5	Seal, O-Ring, 34-Way	300048	29503055	5-780S604-70	1
*	Service Kit	300133	N/A	N/A	1

Repair Tools

Description	Kent-Moore Part Number
Crimping Tool	J 38687
Removal Tool	J 39227

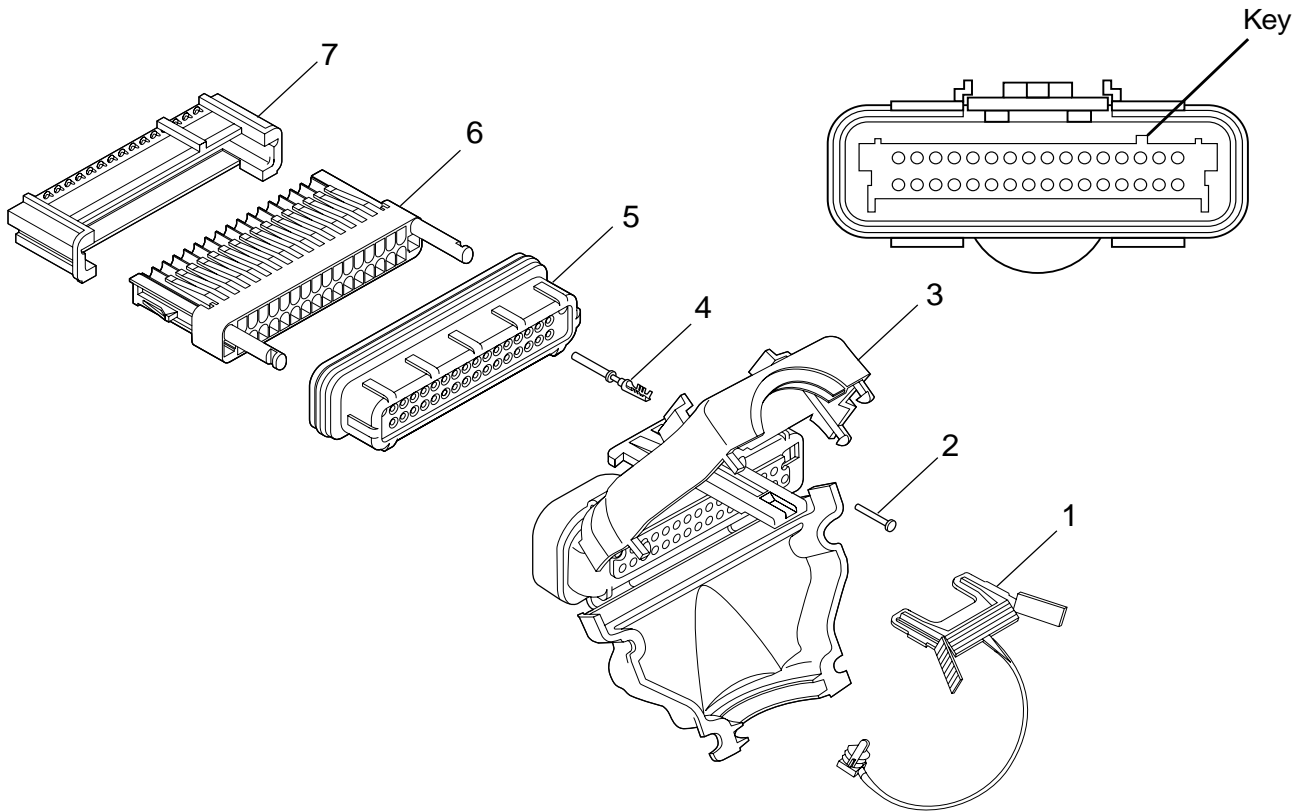


Electronic Control Unit - B (Black)
(WTEC II)

Ref #	Description	Part Numbers			QTY
		St. Clair	ATD	Mfr	
1	Plug, Cavity	300045	29500919	7B282	15
2	Terminal, Socket	300044	29500917	6D871-2-1-T	45
3	Connector, 34-Way, B	300041	29500914	6SD530-400133	1
4	Bar, Locking, 34-Way	300050	29503057	6SD729-07	2
5	Seal, O-Ring, 34-Way	300048	29503055	5-780S604-70	1
*	Service Kit	300134	N/A	N/A	1

Repair Tools

Description	Kent-Moore Part Number
Crimping Tool	J 38687
Removal Tool	J 39227

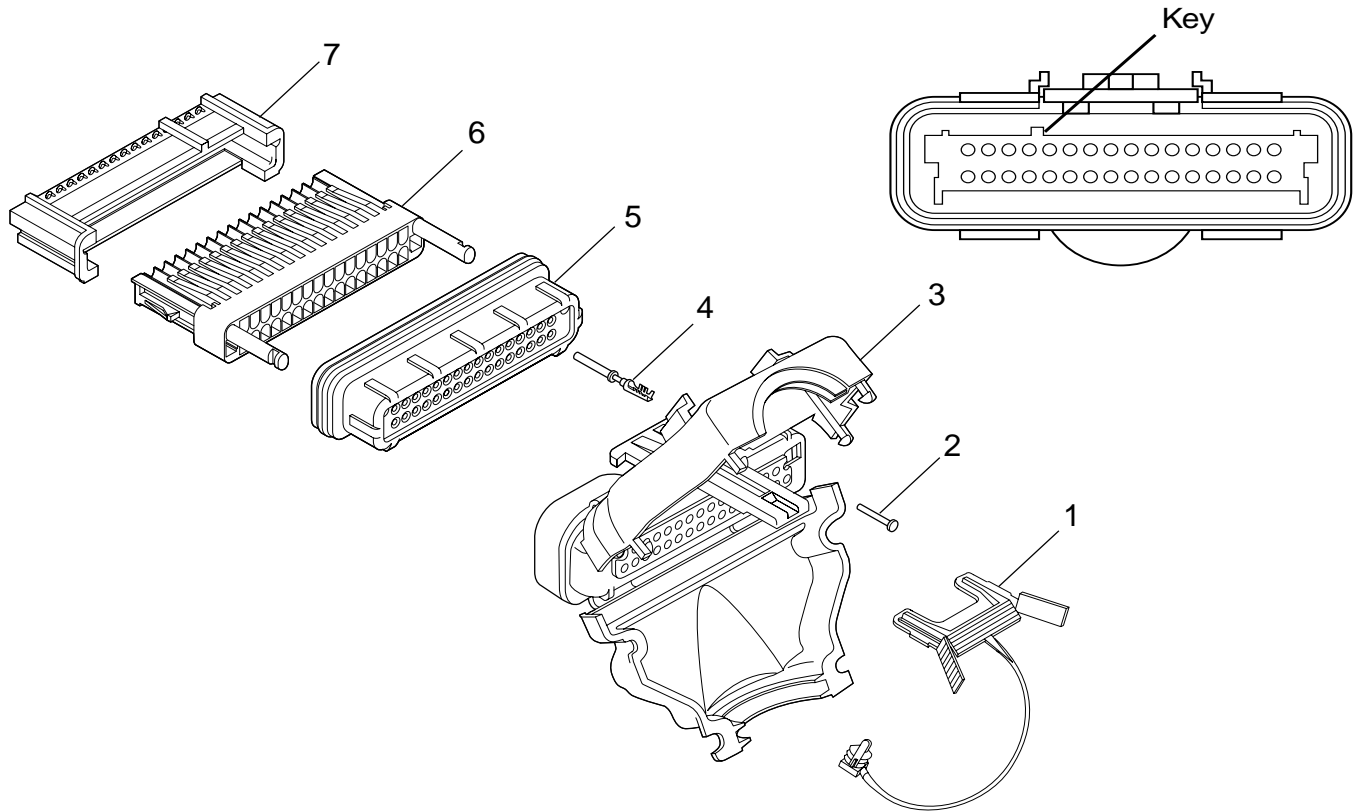


Electronic Control Unit - S (Black)
(WTEC III)

Ref #	Description	Part Numbers			QTY
		St. Clair	ATD	Mfr	
1	CPA, 32-Way Red	300114	12177289	12177289	1
2	Cavity Plug, 100W	300105	12129557	12129557	15
3	Strain Relief, 32-Way Black	300115	12191001	12191001	1
4	Terminal, Socket 100W	300087	12084912	12084912	45
5	Seal, 32-Way	300127	15305333	15305333	1
6	Inner Connect, 32-Way	300128	15305371	15305371	1
7	TPA, 32-Way Black	300101	12129021	12129021	1
*	Service Kit	300135	N/A	N/A	1

Repair Tools

Description	Kent-Moore Part Number
Crimping Tool	J 42215
Removal Tool	J 39227

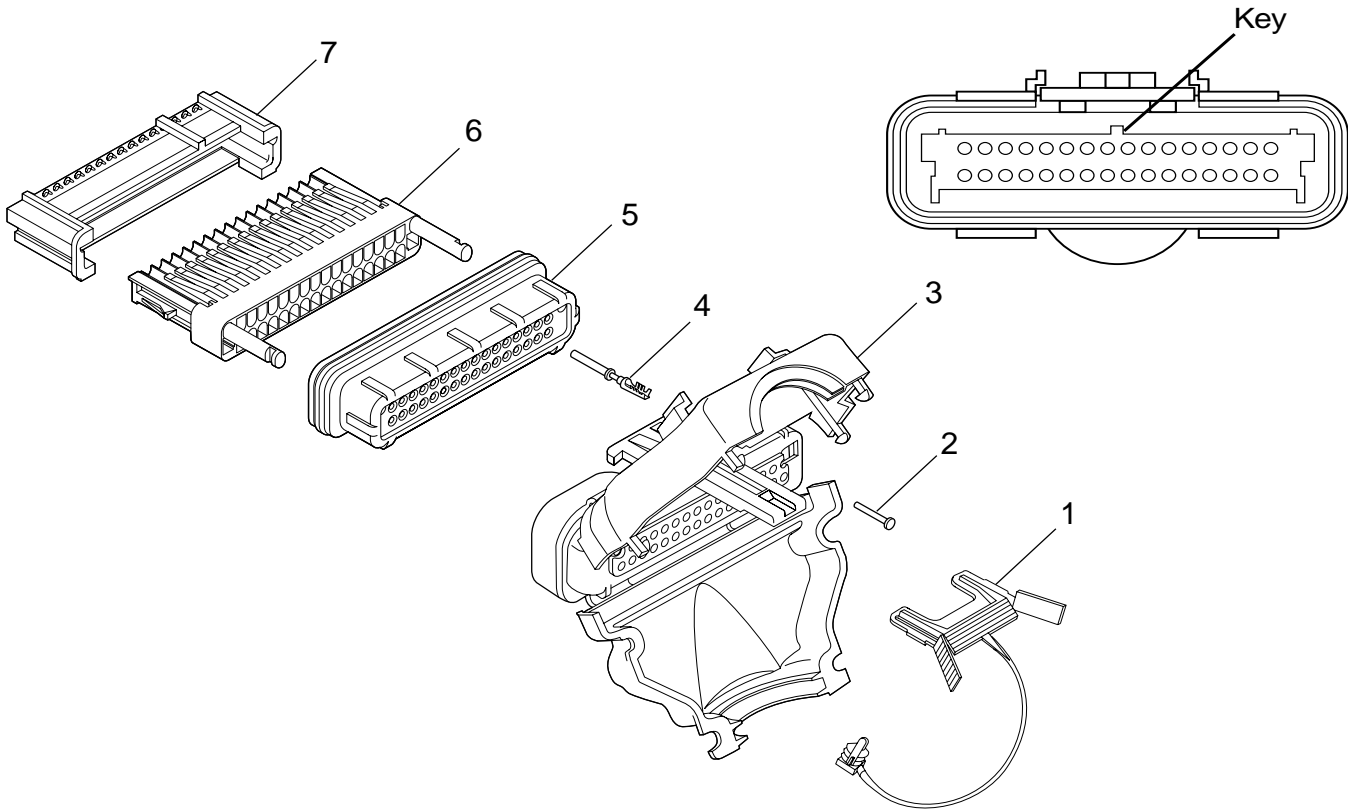


Electronic Control Unit - T (Blue)
(WTEC III)

Ref #	Description	Part Numbers			QTY
		St. Clair	ATD	Mfr	
1	CPA, 32-Way Red	300114	12177289	12177289	1
2	Cavity Plug, 100W	300105	12129557	12129557	15
3	Strain Relief, 32-Way Blue	300117	12191003	12191003	1
4	Terminal, Socket 100W	300087	12084912	12084912	45
5	Seal, 32-Way	300127	15305333	15305333	1
6	Inner Connect, 32-Way	300128	15305371	15305371	1
7	TPA, 32-Way Blue	300103	12129023	12129023	1
*	Service Kit	300136	N/A	N/A	1

Repair Tools

Description	Kent-Moore Part Number
Crimping Tool	J 42215
Removal Tool	J 39227

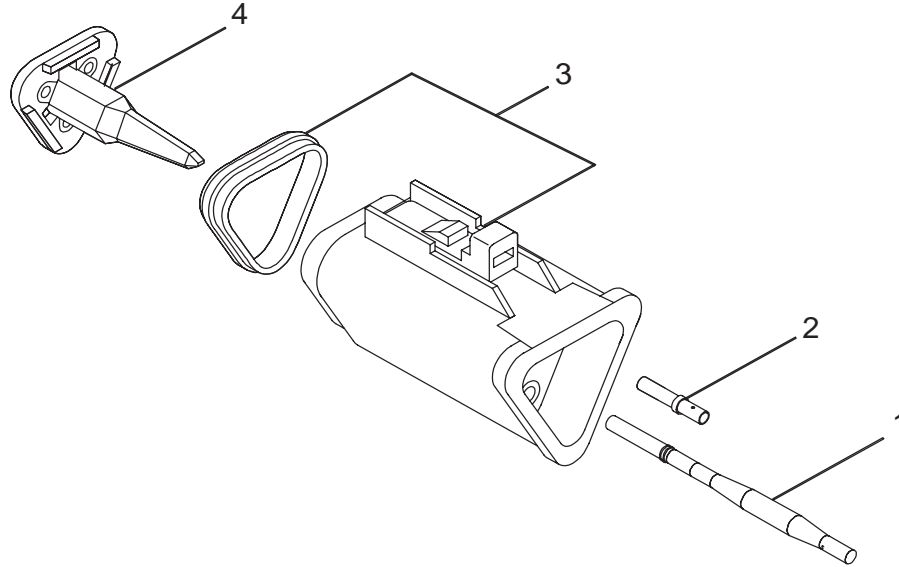


Electronic Control Unit - V (Gray)
 (WTEC III)
Transmission Control Module (TCM J1)
 (1000/2000/2400)

Ref #	Description	Part Numbers			QTY
		St. Clair	ATD	Mfr	
1	CPA, 32-Way Red	300114	12177289	12177289	1
2	Cavity Plug, 100W	300105	12129557	12129557	15
3	Strain Relief, 32-Way Gray	300116	12191002	12191002	1
4	Terminal, Socket 100w	300087	12084912	12084912	45
5	Seal, 32-Way	300127	15305333	15305333	1
6	Inner Connect, 32-Way	300128	15305371	15305371	1
7	TPA, 32-Way Gray	300102	12129022	12129022	1
*	Service Kit	300142	N/A	N/A	1

Repair Tools

Description	Kent-Moore Part Number
Crimping Tool	J 42215
Removal Tool	J 39227

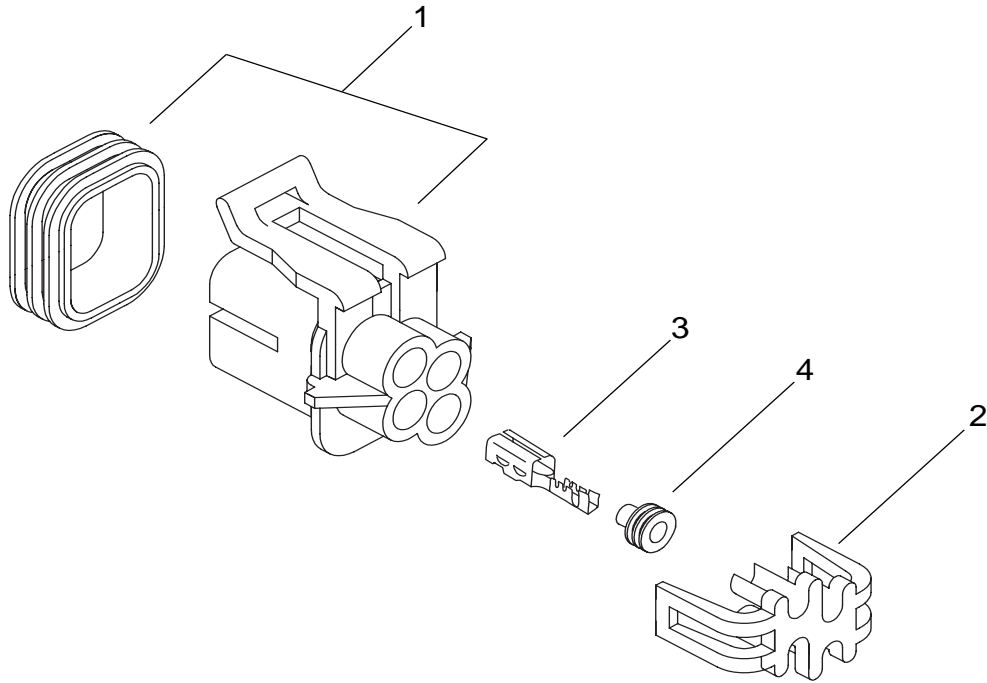


J1939
(WTEC III & 1000/2000/2400)

Ref #	Description	Part Numbers			QTY
		St. Clair	ATD	Mfr	
1	Contact, Extended Socket	300035	N/A	0462-221-1631	1
2	Contact, Socket #16	300005	29542587	15424450	2
3	Connector Assembly, Plug 3-Way	300206	N/A	DT06-3S-P032	1
4	Wedgelock, Plug	300207	N/A	W3S-P012	1
5	Heatshrink Sleeve, 3/4" x 3"	300274	N/A	ATUM-3/4-0	1
*	Service Kit	300140	N/A	N/A	1

Repair Tools

Description	Power & Signal Part Number
Crimping Tool Die Set	HC100 HT51602447-5

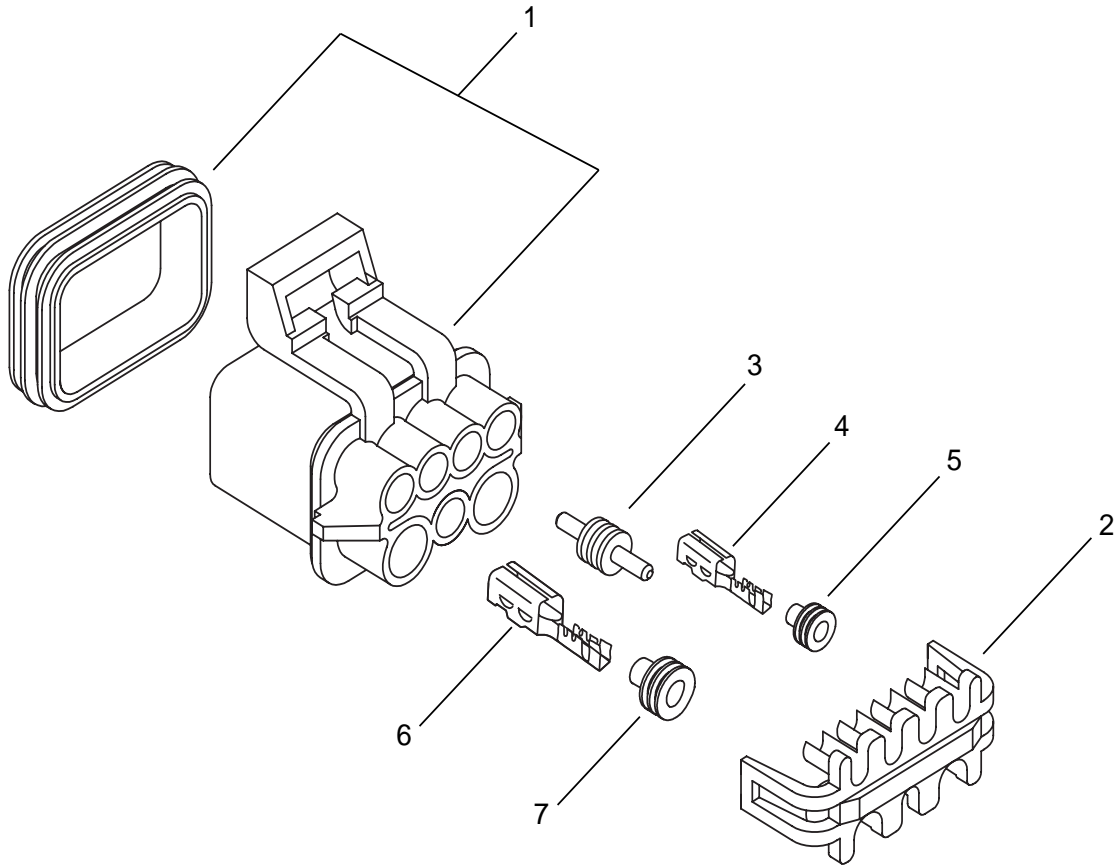


Neutral Start Back Up - 4 Way
(1000/2000/2400)

Ref #	Description	Part Numbers			QTY
		St. Clair	ATD	Mfr	
1	Connector Assembly, 4-Way	CM0386	N/A	12191757	1
2	Lock, Secondary	CL0110	N/A	12129082	1
3	Terminal, Socket, 150 Series	300316	N/A	12048074	5
4	Seal, Wire Type, 150 Series	300317	N/A	15324973	5
*	Service Kit	300190	N/A	N/A	1

Repair Tools

Description	Kent-Moore Part Number
Crimping Tool	J38125-7
Alternate Crimping Tool	J35123
Removal Tool	J35689-A

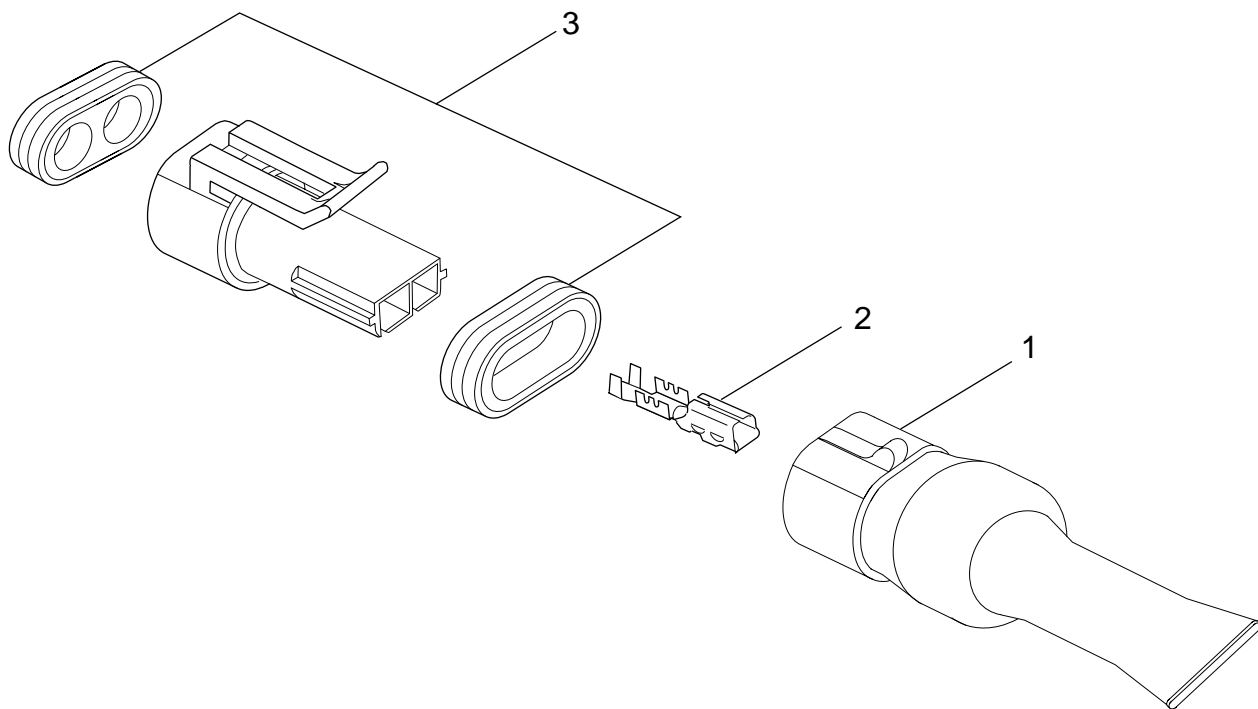


Neutral Start Back Up - 7 Way
(1000/2000/2400)

Ref #	Description	Part Numbers			QTY
		St. Clair	ATD	Mfr	
1	Connector Assembly, 7-Way	300321	N/A	12129840	1
2	Lock, Secondary	300322	N/A	12129841	1
3	Cavity Plug, 150 Series	300323	N/A	12059168	5
4	Terminal, Socket, 150 Series	300316	N/A	12048074	8
5	Seal, Wire Type, 150 Series	300317	N/A	15324973	8
6	Terminal, Socket, 280 Serie	300085	1207741	12077411	4
7	Seal, Wire Type, 280 Serie	300090	1208944	12089444	4
*	Service Kit	300195	N/A	N/A	1

Repair Tools

Description	Kent-Moore Part Number
Crimping Tool	J38125-7
Alternate Crimping Tool	J35123
Removal Tool	J35689-A

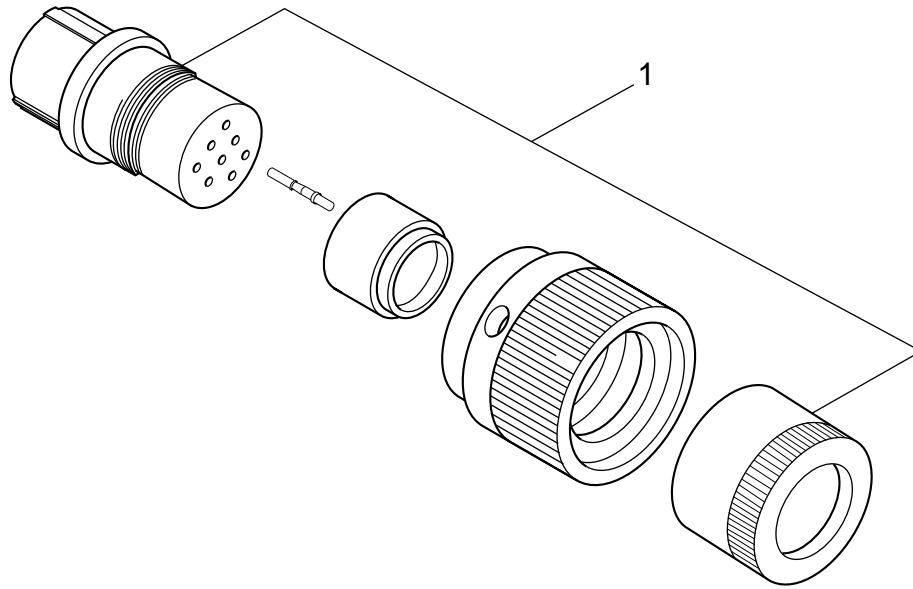


Accumulator Solenoid (WTEC II)
 MD Retarder Solenoid (WTEC III)
 ("HSOL" - WTEC II, "HSOLM" - WTEC III)

Ref #	Description	Part Numbers				QTY
		St. Clair	ATD	Mfr		
1	Sealed Cover Assembly	300060	N/A	N/A	1	
2	Terminal, 150F	300266	12124075	12124075	3	
3	Connector Assembly, 2-Way	300111	12162197	12162197	1	
*	Service Kit Note - Service Kit does not include sealed cover	300141	N/A	N/A	1	

Repair Tools

Description	Kent-Moore Part Number
Crimping Tool	J 38125-7
Alternate Crimping Tool	J 35123
Removal Tool	J 35689-A

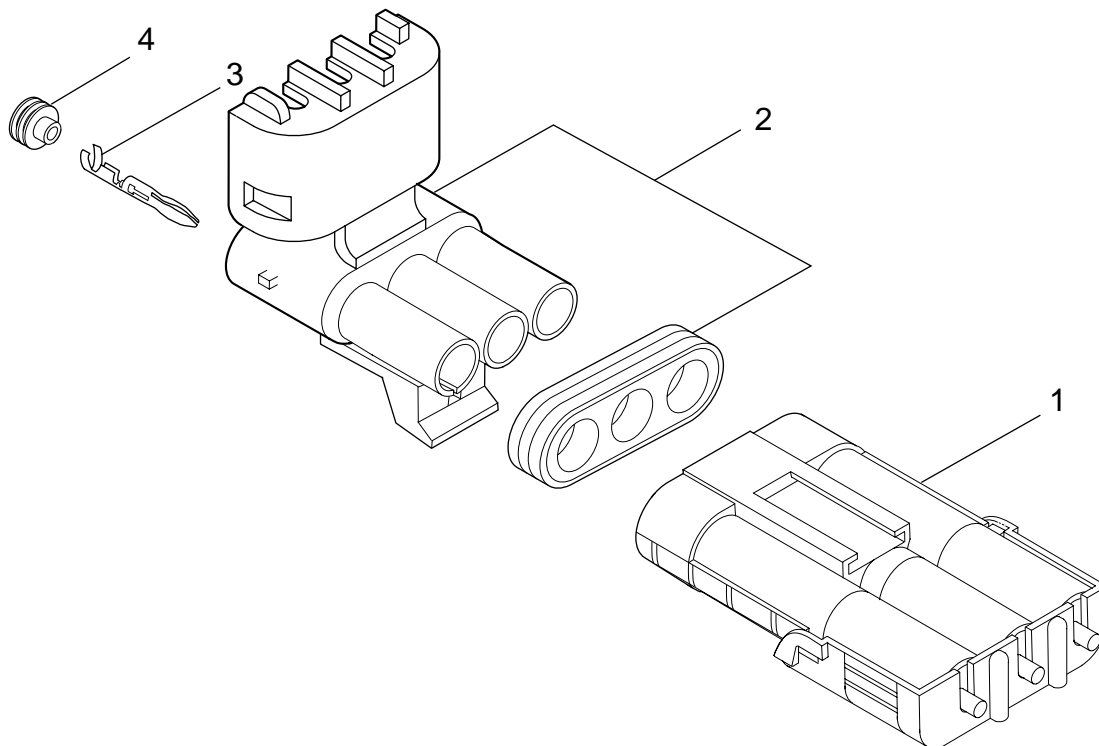


Retarder Control Body
(WTEC II and III MDR prior to Jan. 1/98)

Ref #	Description	Part Numbers			QTY
		St. Clair	ATD	Mfr	
1	Connector Assembly, Plug 8-Way	300003	29506427	PT06SE16-8S-LC	1
*	Service Kit, Same As Above Kit comes with connector, terminals and cavity plugs.				

Repair Tools

Description	Kent-Moore Part Number
Crimping Tool	J 34182
Removal/Installation Tool	J 39841

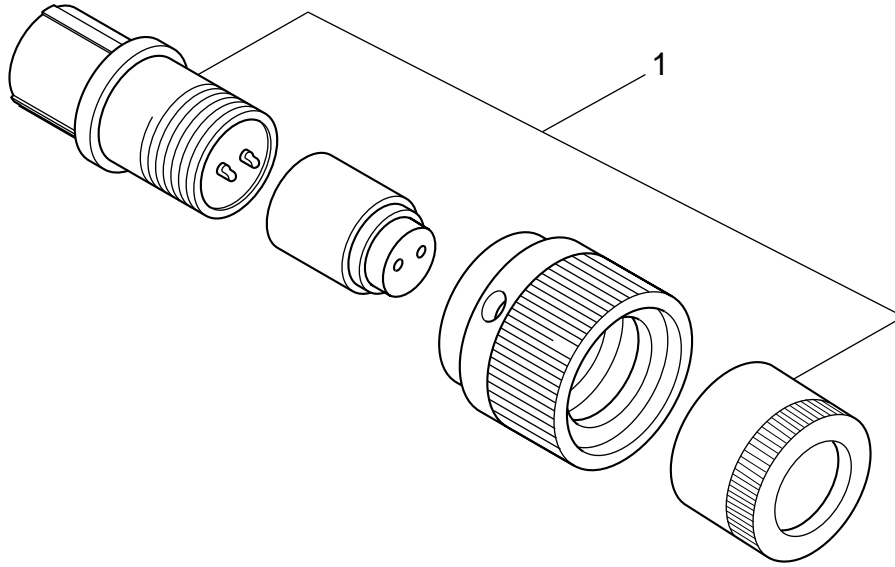


Retarder Modulation Request (WTEC II, III & GEN4)

Ref #	Description	Part Numbers			QTY
		St. Clair	ATD	Mfr	
1	Sealed Cover Assembly, RMR	300057	N/A	N/A	1
2	Connector Assembly, 3-Way	300067	12015795	12015795	1
3	Terminal, Pin	300088	12089040	12089040	4
4	Seal, Wire Type, Silicone (WTEC II)	300064	12015284	12015284	4
4	Seal, Wire Type, Silicone (WTEC III)	300090	12089444	12089444	4
*	Service Kit Note - Service Kit does not include sealed cover	300143	N/A	N/A	1

Repair Tools

Description	Kent-Moore Part Number
Crimping Tool	J 38125-6
Alternate Crimping Tool	J 35606 or J 38852
Removal Tool	J 38125-10

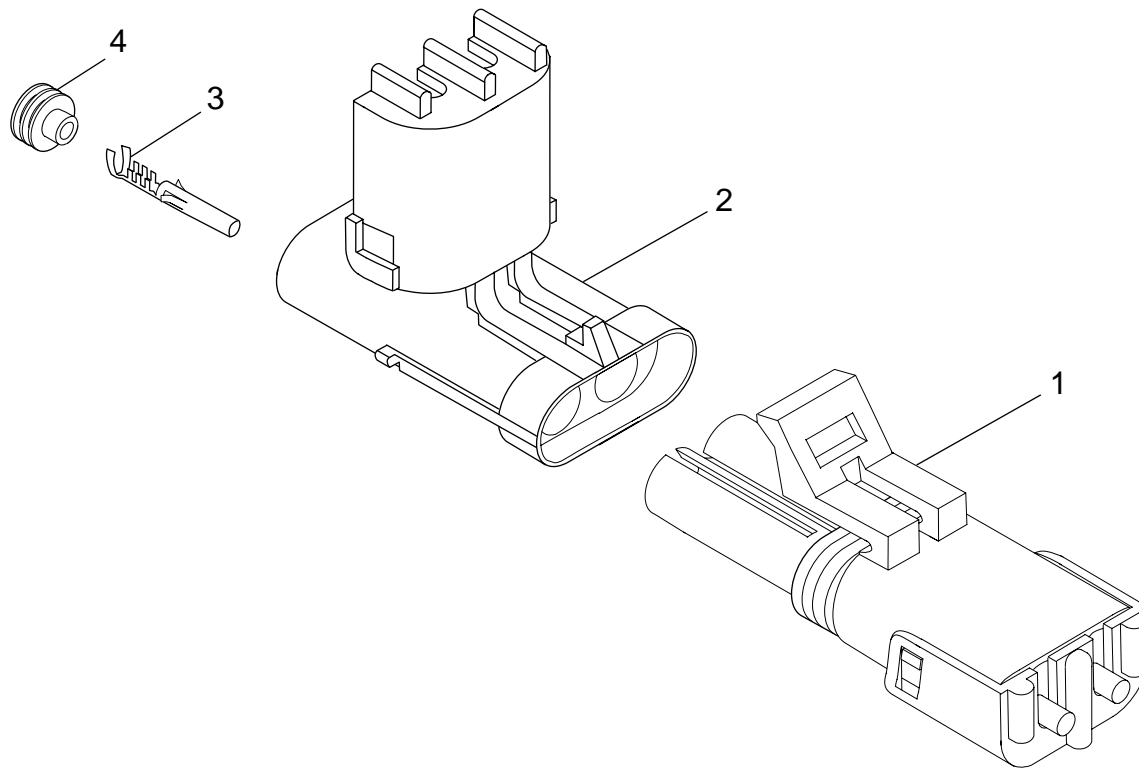


Retarder Solenoid
(WTEC II and III HDR)

Ref #	Description	Part Numbers			QTY
		St. Clair	ATD	Mfr	
1	Connector Assembly, Plug 2-Way	300001	29505516	PT06E8-2S	1
*	Service Kit, Same As Above				

Repair Tools

Description	Kent-Moore Part Number
50-70 percent tin resin core solder, 18-20 SWG	
Pen-type soldering iron (60W maximum) with tip no larger than 3.175 mm	
Desoldering braid	

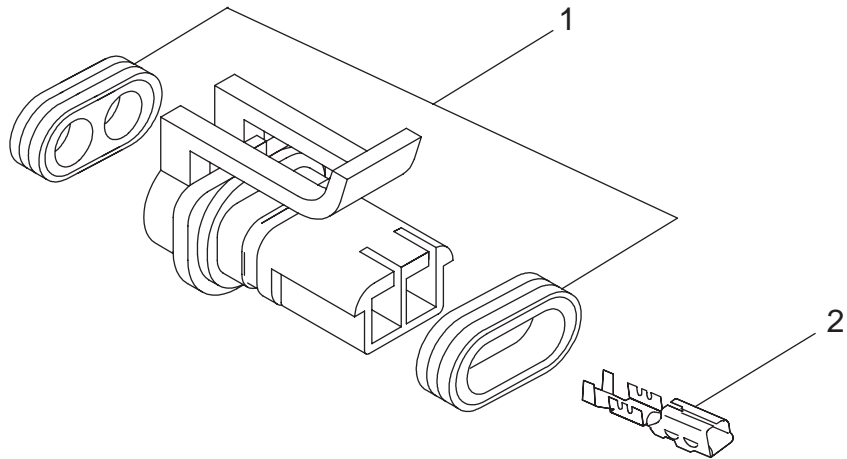


Retarder Temperature Sensor (WTEC II and III - Prior to Jan. 1/98)

Ref #	Description	Part Numbers			QTY
		St. Clair	ATD	Mfr	
1	Sealed Cover Assembly, RTEMP	300058	N/A	N/A	1
2	Connector, Shroud, 2-Way	300062	12010973	12010973	1
3	Terminal, Socket	300089	12089188	12089188	3
4	Seal, Wire Type, Silicone (WTEC II)	300064	12015284	12015284	3
4	Seal, Wire Type, Silicone (WTEC III)	300090	12089444	12089444	3
*	Service Kit Note - Service Kit does not include sealed cover	300145	N/A	N/A	1

Repair Tools

Description	Kent-Moore Part Number
Crimping Tool	J 38125-6
Alternate Crimping Tool	J 35606 or J 38852
Removal Tool	J 38125-10

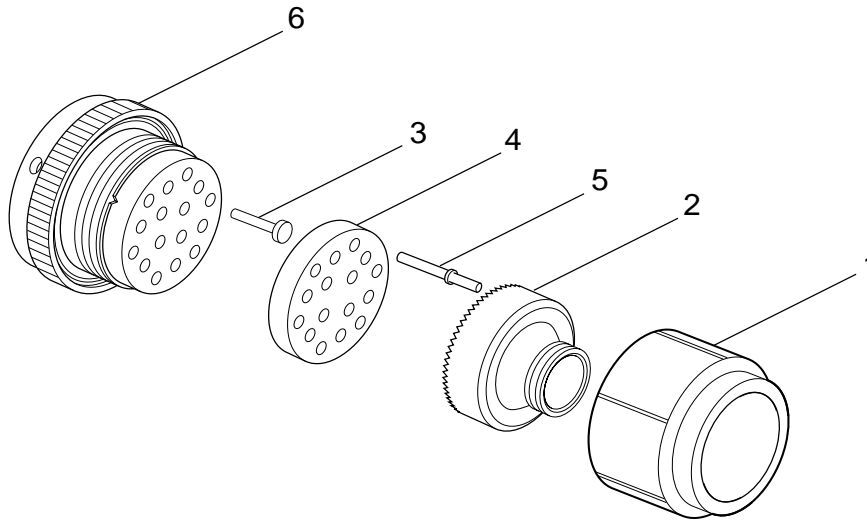


Retarder Temperature Sensor (after Jan 1/98)
(WTEC III, GEN4)

Ref #	Description	Part Numbers			QTY
		St. Clair	ATD	Mfr	
1	Connector Assembly, 2-Way	300170	12162852	12162852	1
2	Terminal, 150F	300266	12124075	12124075	3
*	Service Kit	300172	N/A	N/A	1

Repair Tools

Description	Kent-Moore Part Number
Crimping Tool	J 38125-7
Alternate Crimping Tool	J 35123
Removal Tool	J 35689-A

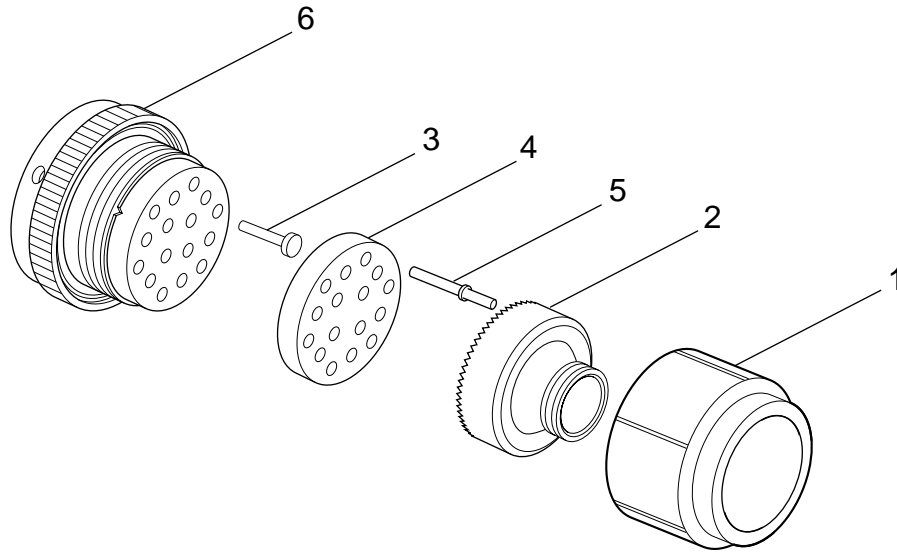


Sensor Harness Plug
(WTEC III & GEN4 3K/4K)

Ref #	Description	Part Numbers			QTY
		St. Clair	ATD	Mfr	
1	Housing, Backshell, 20/16	300020	29516991	0805-201-2001	1
2	Follower, Backshell, 20/16	300021	29516992	0818-201-2001	1
3	Sealing Plug	300008	N/A	12034413	1
4	Grommet, Backshell #20	300022	29516993	0810-201-2001	1
5	Contact, Socket #16	300005	29542587	15424450	25
6	Connector, Plug, 16-Way	300017	29516987	WT06B20-16SN	1
7	Extraction/Insertion Tool	300197	N/A	M15570-16	2
*	Service Kit	300146	N/A	N/A	1

Repair Tools

Description	Power & Signal Part Number
Crimping Tool Die Set	HC100 HT51602447-5

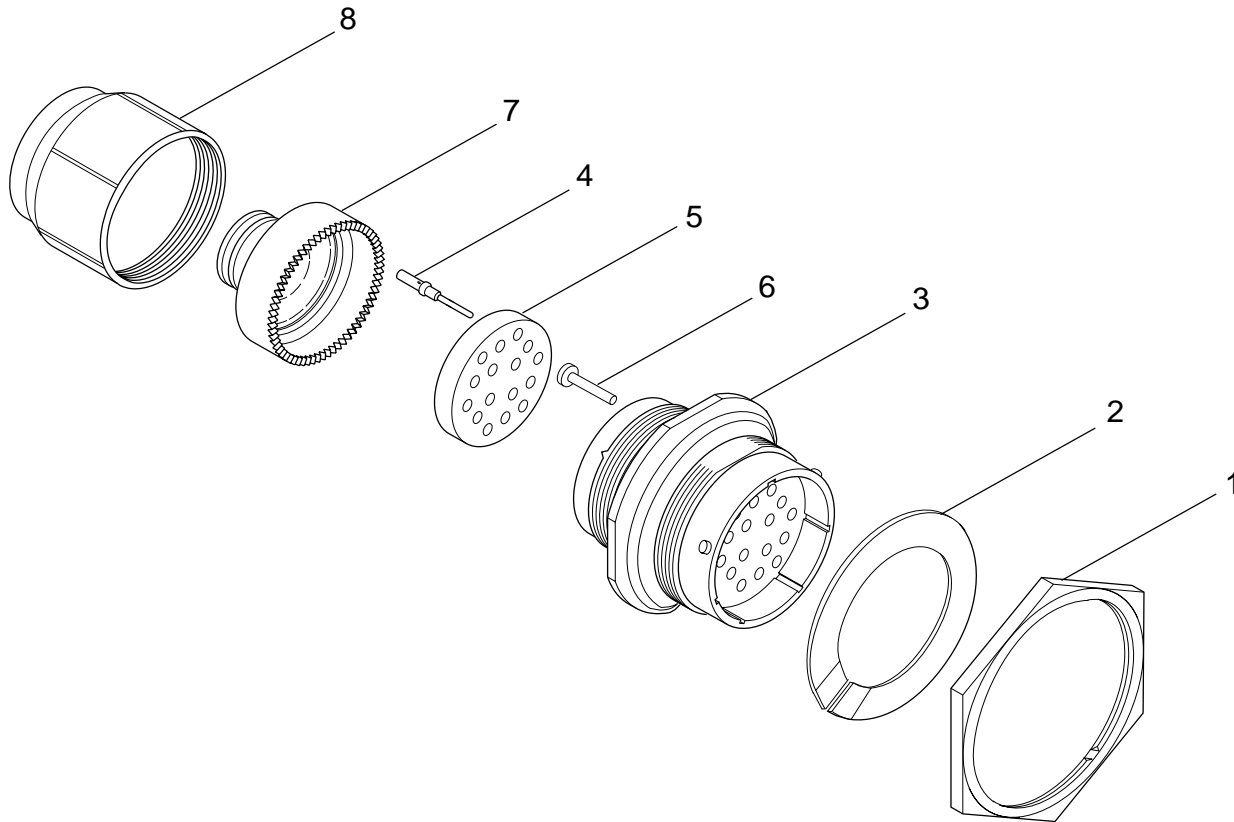


Sensor Harness Plug
(WTEC II)

Ref #	Description	Part Numbers			QTY
		St. Clair	ATD	Mfr	
1	Housing, Backshell, 20/19	300054	29520394	805-202-2001	1
2	Follower, Backshell, 20/19	300055	29520395	WTA10-20-02/19	1
3	Sealing Plug	300008	N/A	12034413	10
4	Grommet, Backshell #20	300022	29516993	WTA10-20-03	1
5	Contact, Socket #16	300005	29542587	15424450	25
6	Connector, Plug, 16-Way	300017	29516987	WT06B20-16SN	1
7	Extraction/Insertion Tool	300197	N/A	M15570-16	2
*	Service Kit	300204	N/A	N/A	1

Repair Tools

Description	Power & Signal Part Number
Crimping Tool Die Set	HC100 HT51602447-5

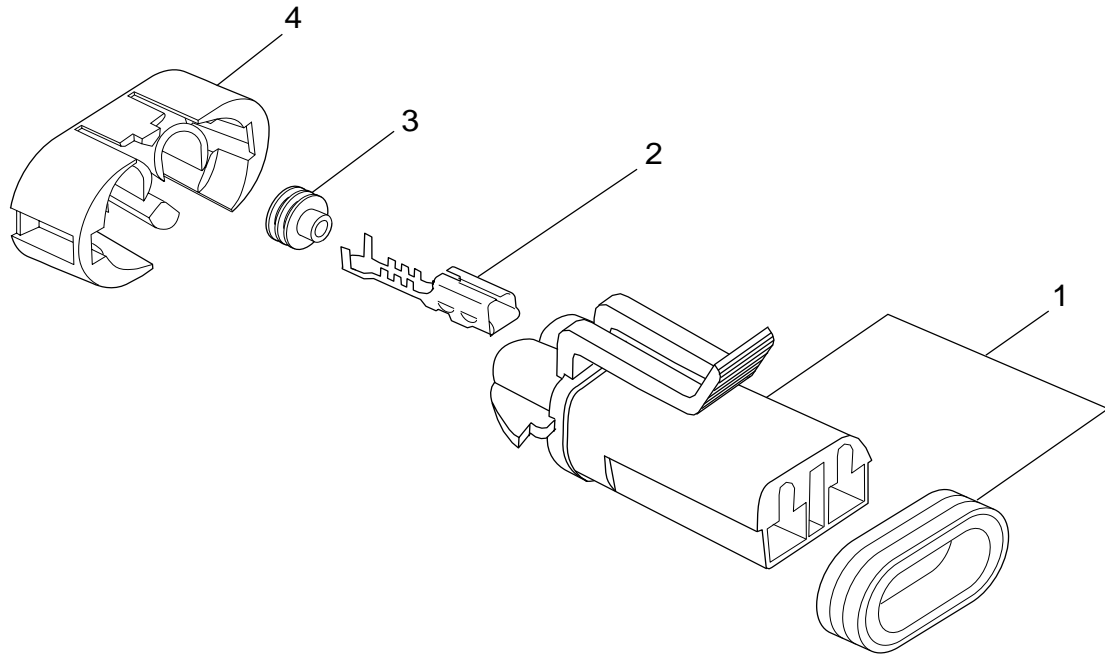


Sensor Harness Receptacle
(WTEC II, III & GEN4 3K/4K)

Ref #	Description	Part Numbers			QTY
		St. Clair	ATD	Mfr	
1	Nut, Panel #20	300019	N/A	0025-262-3014	1
2	Washer, Lock #20	300023	29519126	0914-212-2086	1
3	Connector, Receptacle, 16-Way	300018	29516988	WT04B20-16PN	1
4	Contact, Pin #16	300007	29542586	15424453	25
5	Grommet, Backshell #20	300022	29516993	0810-201-2001	1
6	Sealing Plug	300008	N/A	12034413	10
7	Follower, Backshell, 20/16	300021	29516992	0818-201-2001	1
8	Housing, Backshell, 20/16	300020	29516991	0805-201-2001	1
9	Extraction/Insertion Tool	300197	N/A	M15570-16	2
*	Service Kit	300147	N/A	N/A	1

Repair Tools

Description	Power & Signal Part Number
Crimping Tool Die Set	HC100 HT51602447-5

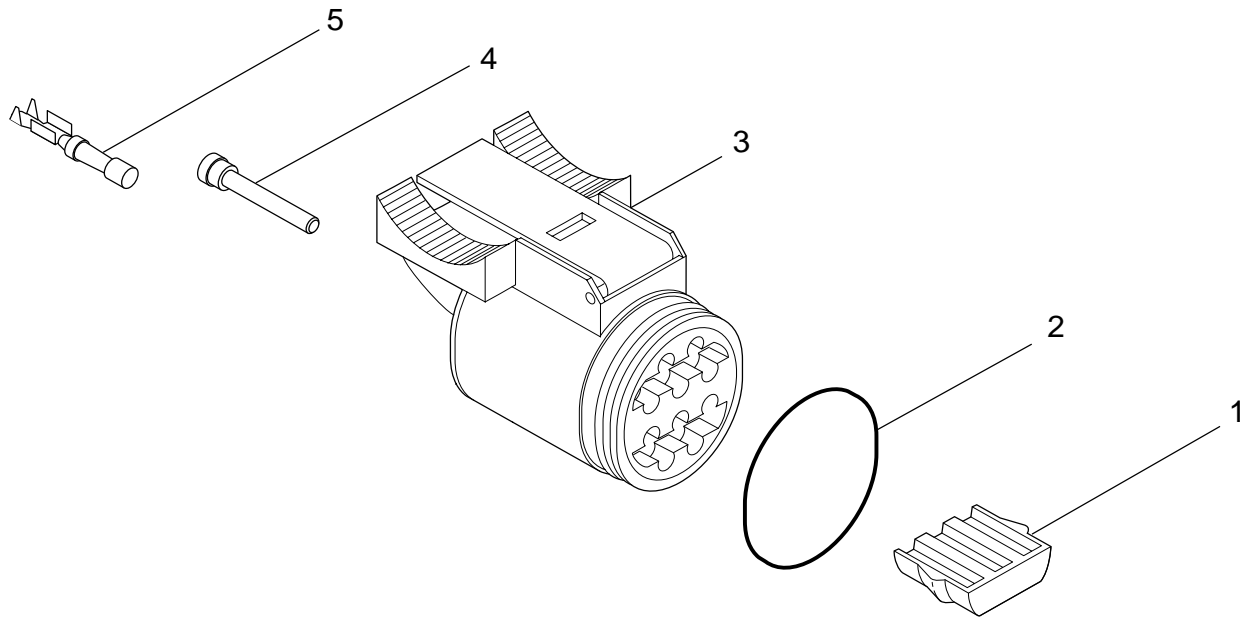


Serial Communications Interface
 (WTEC III)
GPI9 General Purpose Input #9
 (1000/2000/2400)

Ref #	Description	Part Numbers			QTY
		St. Clair	ATD	Mfr	
1	Connector Assembly, 2-Way	300125	15300027	15300027	1
2	Terminal, Socket	300085	12077411	12077411	3
3	Seal, Wire Type, Silicone	300090	12089444	12089444	3
4	Lock, Secondary	300124	15300014	15300014	1
*	Service Kit	300148	N/A	N/A	1

Repair Tools

Description	Kent-Moore Part Number
Crimping Tool	J38125-7
Alternate Crimping Tool	J35123
Removal Tool	J35689-A

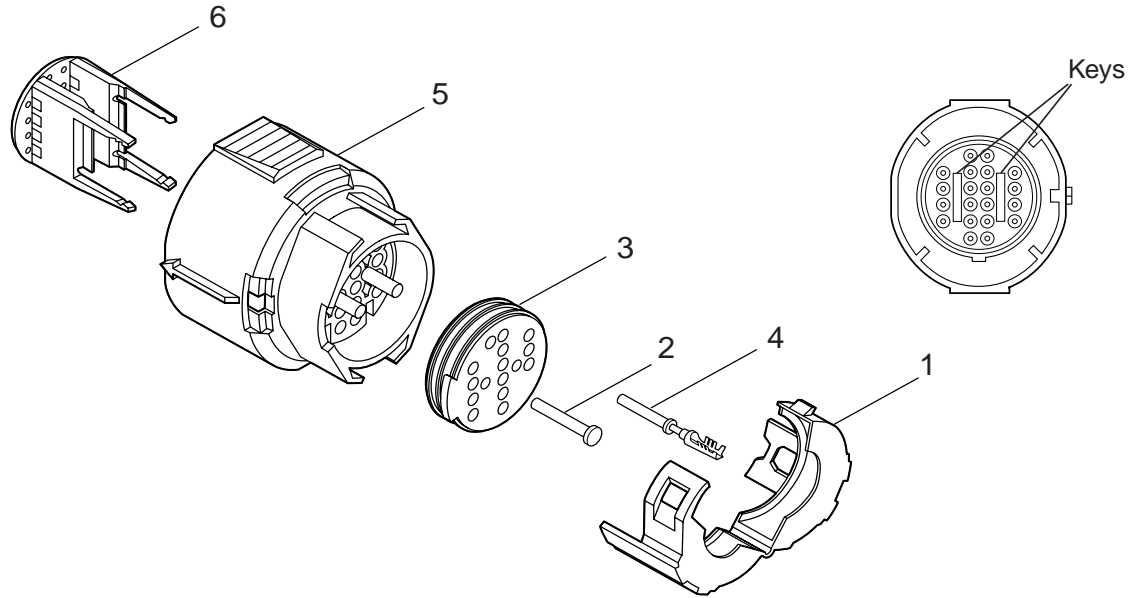


Shift Selector - Remote Serial Interface
(WTEC II)

Ref #	Description	Part Numbers			QTY
		St. Clair	ATD	Mfr	
1	Bar, Locking, 10-way	300049	29503056	5-1437292-8	2
2	Seal, O-ring, 10-way	300047	29503054	6D656-01	1
3	Connector, 10-way	300043	29500916	6SD530-10-40	1
4	Plug, Cavity	300045	29500919	7B282	7
5	Terminal, Female	300044	29500917	6D871-2-1-T	14
*	Service Kit	300149	N/A	N/A	1

Repair Tools

Description	Kent-Moore Part Number
Crimping Tool	J 38687
Removal Tool	J 39227

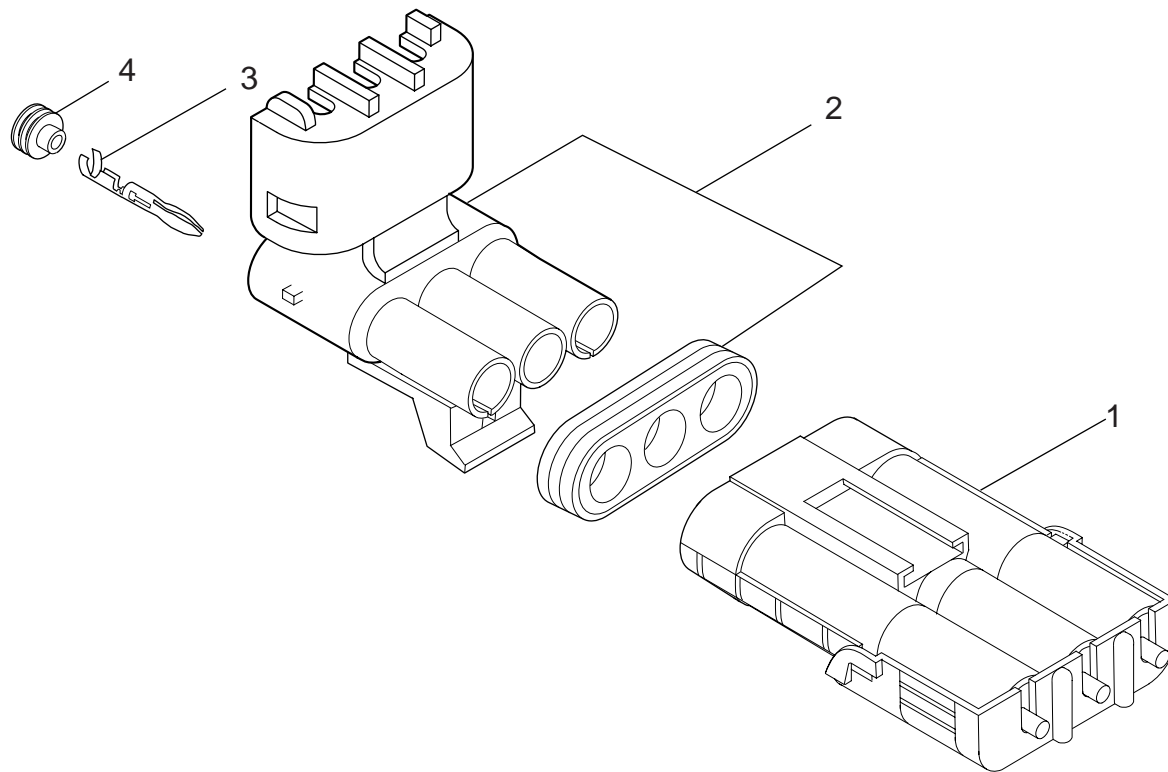


Shift Selector 1/Shift Selector 2
(WTEC III)

Ref #	Description	Part Numbers			QTY
		St. Clair	ATD	Mfr	
1	Conduit Clip, 13 mm Black	300113	12176394	12176394	1
2	Cavity Plug, 100W	300105	12129557	12129557	10
3	Cable Seal, 14F Red	300126	15304882	15304882	1
4	Terminal, Socket 100W	300087	12084912	12084912	28
5	Connector 20F MIC/P 100W Gray	300106	12160280	12160280	1
6	Lock, Secondary 20F	300107	12160494	12160494	1
*	Service Kit	300150	N/A	N/A	1

Repair Tools

Description	Kent-Moore Part Number
Crimping Tool	J 42215
Removal Tool	J 39227

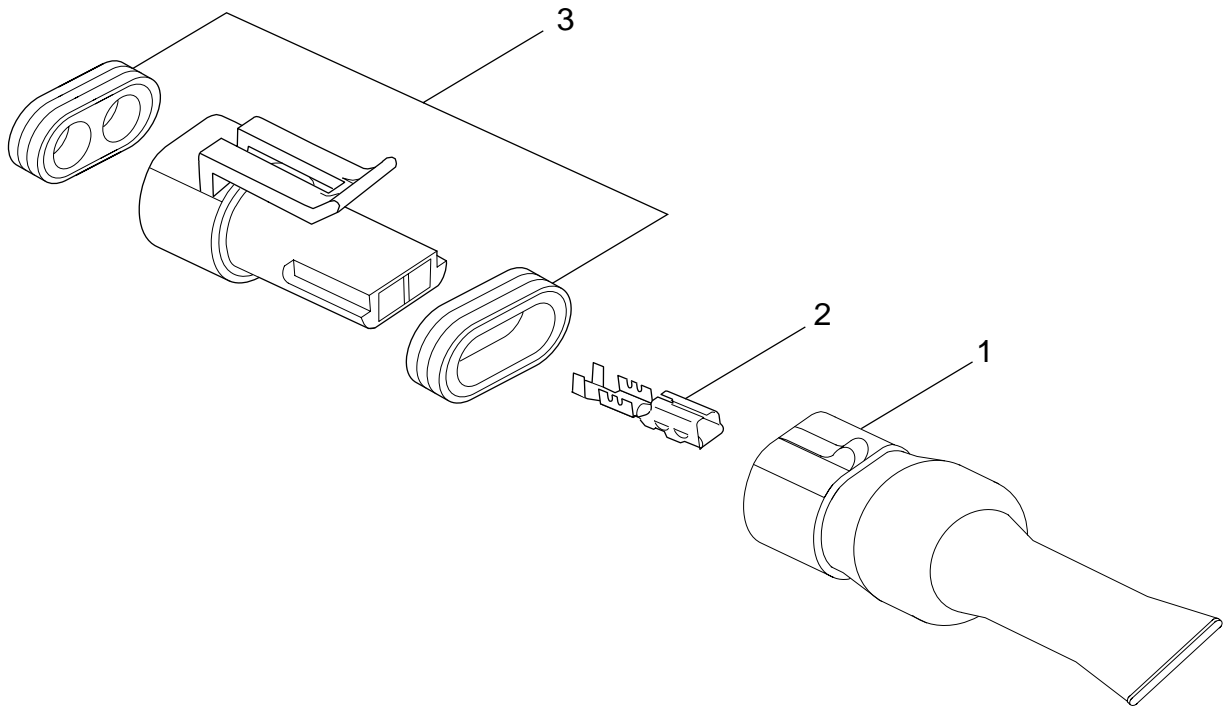


Throttle Position Sensor (WTEC II, III, 1000/2000/2400 & GEN4)

Ref #	Description	Part Numbers			QTY
		St. Clair	ATD	Mfr	
1	Sealed Cover Assembly, TPS	300056	N/A		1
2	Connector Assembly, 3-Way	300066	12015793	12015793	1
3	Terminal, Pin	300088	12089040	12089040	4
4	Seal, Wire Type, Silicone (WTEC II)	300064	12015284	12015284	4
4	Seal, Wire Type, Silicone (WTEC III)	300090	12089444	12089444	4
*	Service Kit Note - Service Kit does not include sealed cover	300152	N/A	N/A	1

Repair Tools

Description	Kent-Moore Part Number
Crimping Tool	J 38125-6
Alternate Crimping Tool	J 35606 or J 38852
Removal Tool	J 38125-10

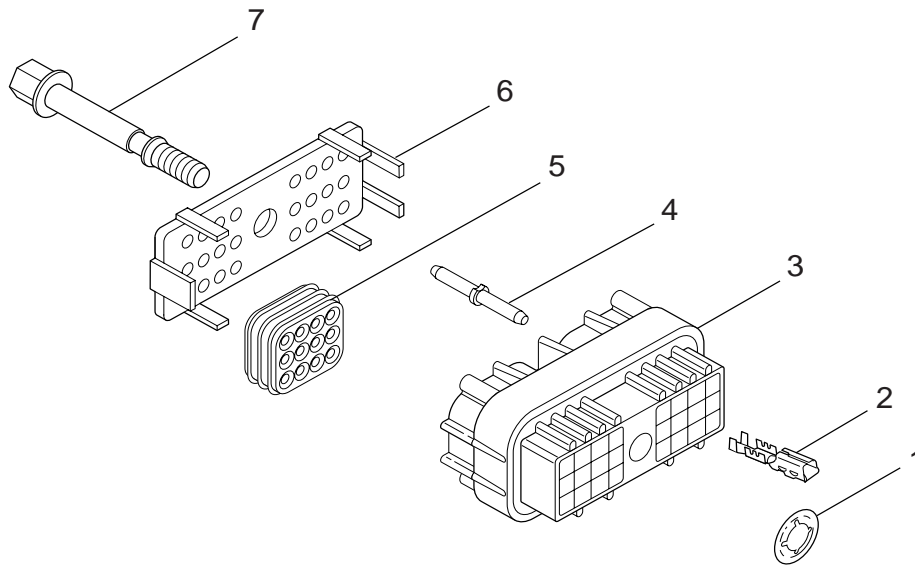


Transmission Speed Sensors
Engine, Turbine & Output
 (WTEC II, III & 1000/2000/2400)

Ref #	Description	Part Numbers			QTY
		St. Clair	ATD	Mfr	
1	Sealed Cover Assembly, Speed Sensor	300061	N/A	N/A	1
2	Terminal, 150F	300266	12124075	12124075	3
3	Connector Assembly, 2-Way	300110	12162193	12162393	1
*	Service Kit Note - Service kit does not include sealed cover	300139	N/A	N/A	1

Repair Tools

Description	Kent-Moore Part Number
Crimping Tool	J 38125-7
Alternate Crimping Tool	J 35123
Removal Tool	J 35689-A

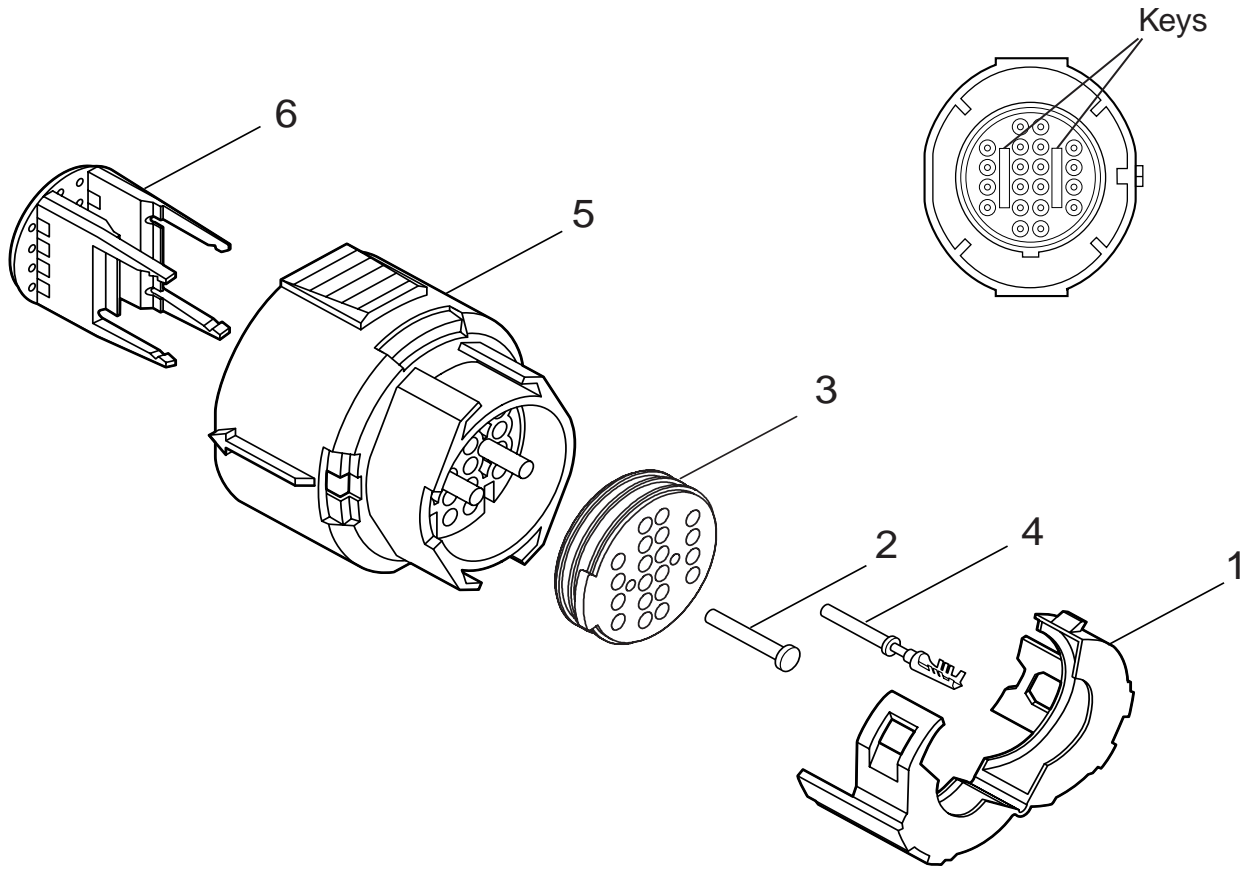


Transmission Feedthru (WTEC II prior to Model Year 1995)

Ref #	Description	Part Numbers			QTY
		St. Clair	ATD	Mfr	
1	Retainer Clip, Bolt	300070	N/A	15492535	1
2	Terminal, 150F, BeCu	300095	12110236	12110236	30
3	Connector, Body, 24-Way	300164	12092201	12092201	1
4	Cavity Plug, Metripack	300008	N/A	12034413	10
5	Seal, 12-Way	300165	12092200	12092200	2
6	Strain Relief, 24-Way	300166	12110234	12110234	1
7	Bolt, 7 mm Head Ext.	300104	N/A	15492602	1
*	Service Kit	300154	N/A	N/A	1

Repair Tools

Description	Kent-Moore Part Number
Crimping Tool	J 38125-7
Alternate Crimping Tool	J 35123
Removal Tool	J 35689-A

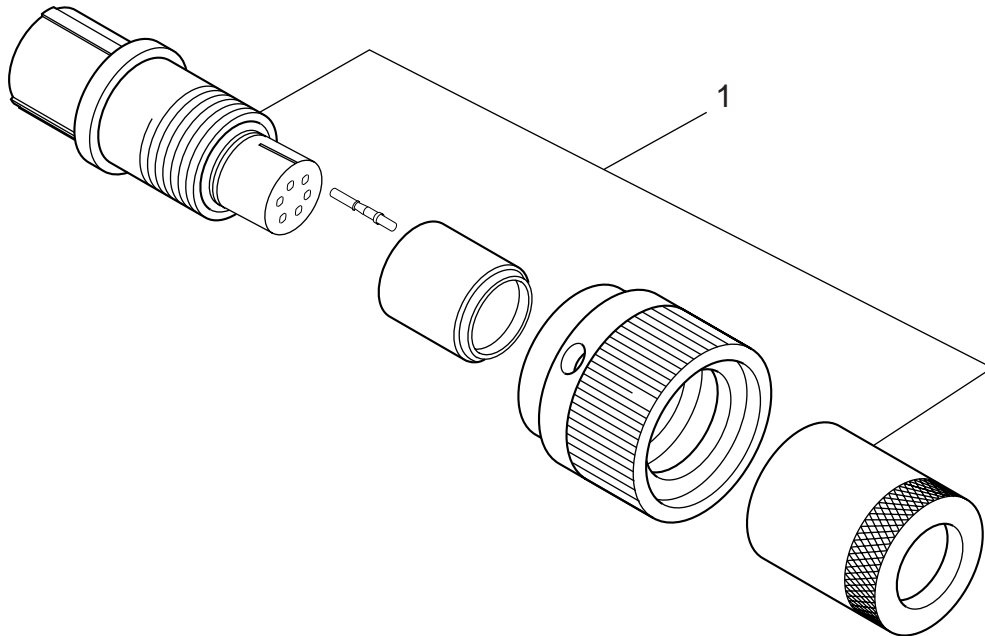


TLCT
(1000/2000/2400)

Ref #	Description	Part Numbers			QTY
		St. Clair	ATD	Mfr	
1	Conduit Clip, 13 mm Black	300113	12176394	12176394	1
2	Cavity Plug, 100W	300105	12129557	12129557	10
3	Cable Seal, 20F, Orange	300191	12177159	12177159	1
4	Terminal, Socket 100W	300087	12084912	12084912	28
5	Connector 20F MIC/P 100W Gray	300106	12160280	12160280	1
6	Lock, Secondary 20F Green	300107	12160494	12160494	1
*	Service Kit	300181	N/A	N/A	1

Repair Tools

Description	Kent-Moore Part Number
Crimping Tool	J 42215
Removal Tool	J 39227

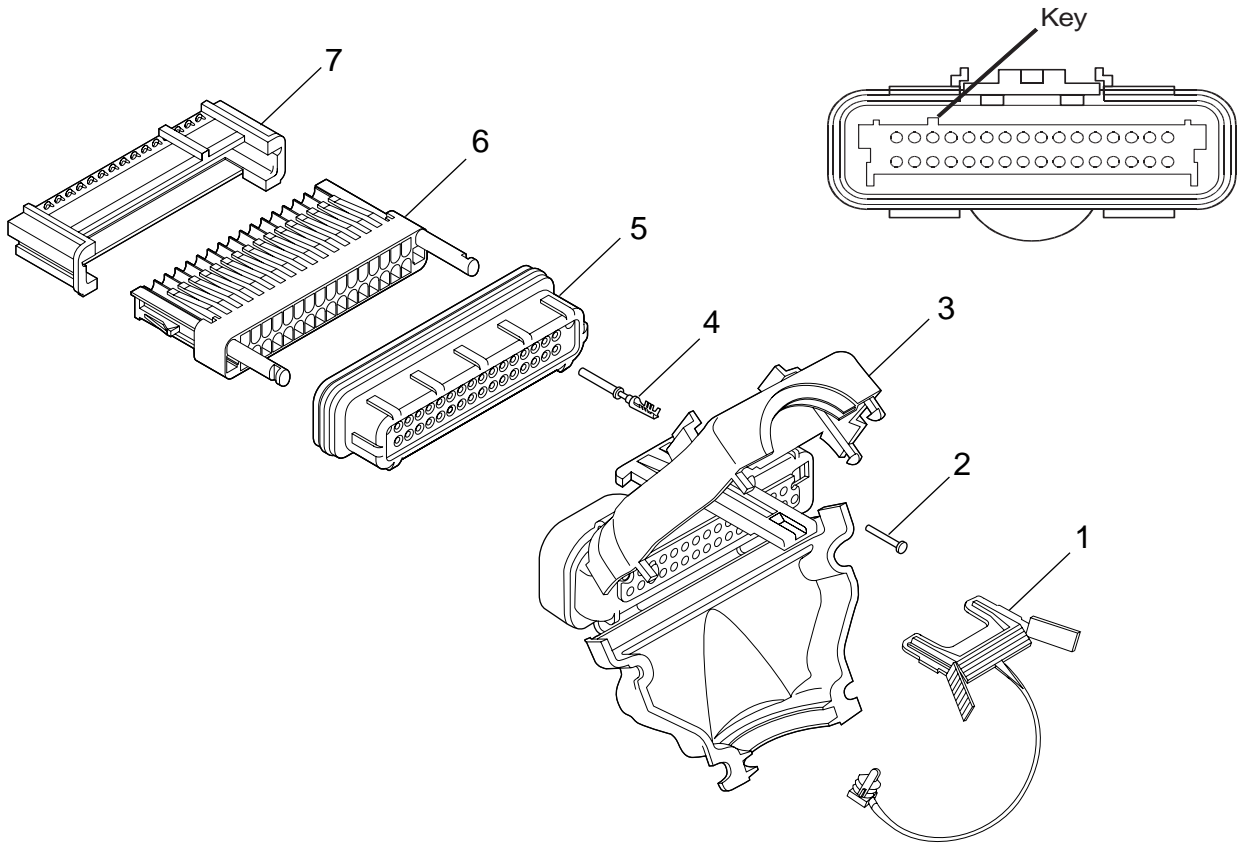


Transfer Case
(WTEC II and III MD 7)

Ref #	Description	Part Numbers			QTY
		St. Clair	ATD	Mfr	
1	Connector Assembly, Plug 6-Way	300002	29506418	KPSE06E10-6S	1
*	Service Kit, Same As Above Kit comes with connector, terminal and cavity plug.				

Repair Tools

Description	Kent-Moore Part Number
Crimping Tool	J 34182
Connector Repair Kit	J 41193
Guide Pin	J 41193-1
Insertion Tool	J 41193-2
Terminal Remover	J 41193-3
Removal/Installation Tool	J 39842

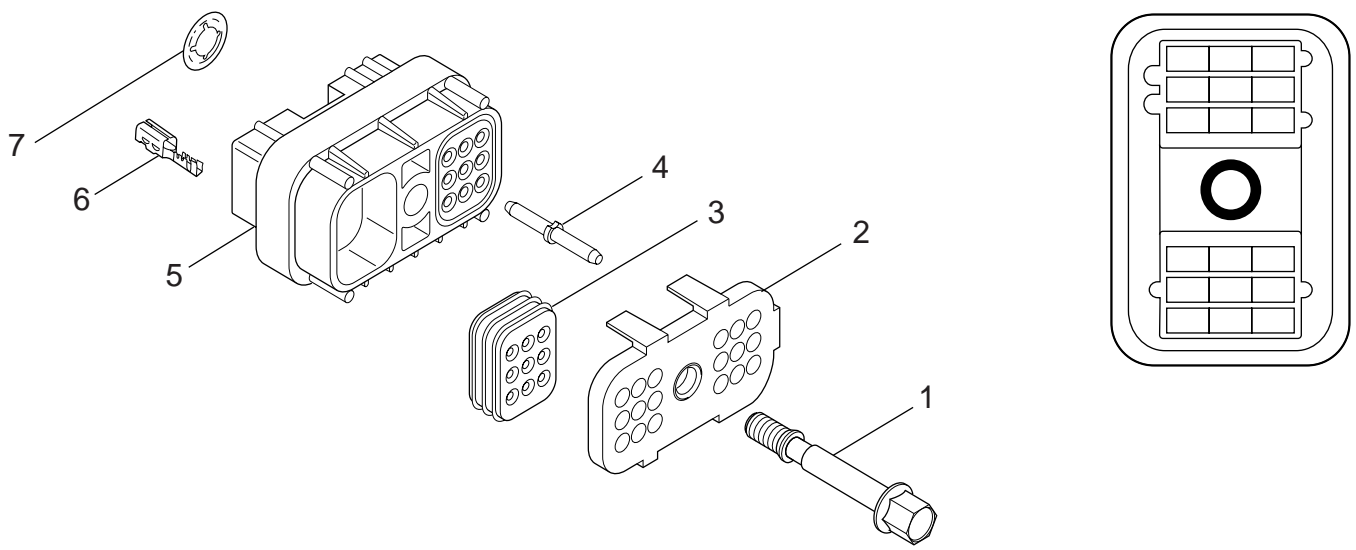


Transmission Control Module (TCM J2)
(1000/2000/2400)

Ref #	Description	Part Numbers			QTY
		St. Clair	ATD	Mfr	
1	CPA, 32-Way Red	300114	12177289	12177289	1
2	Cavity Plug, 100W	300105	12129557	12129557	15
3	Strain Relief, 32-Way Red	300208	15336800	15336800	1
4	Terminal, Socket 100W	300087	12084912	12084912	45
5	Seal, 32-Way	300127	15305333	15305333	1
6	Inner Connect, 32-Way	300128	15305371	15305371	1
7	TPA, 32-Way Red	300209	12129024	12129024	1
*	Service Kit	300180	N/A	N/A	1

Repair Tools

Description	Kent-Moore Part Number
Crimping Tool	J 42215
Removal Tool	J 39227

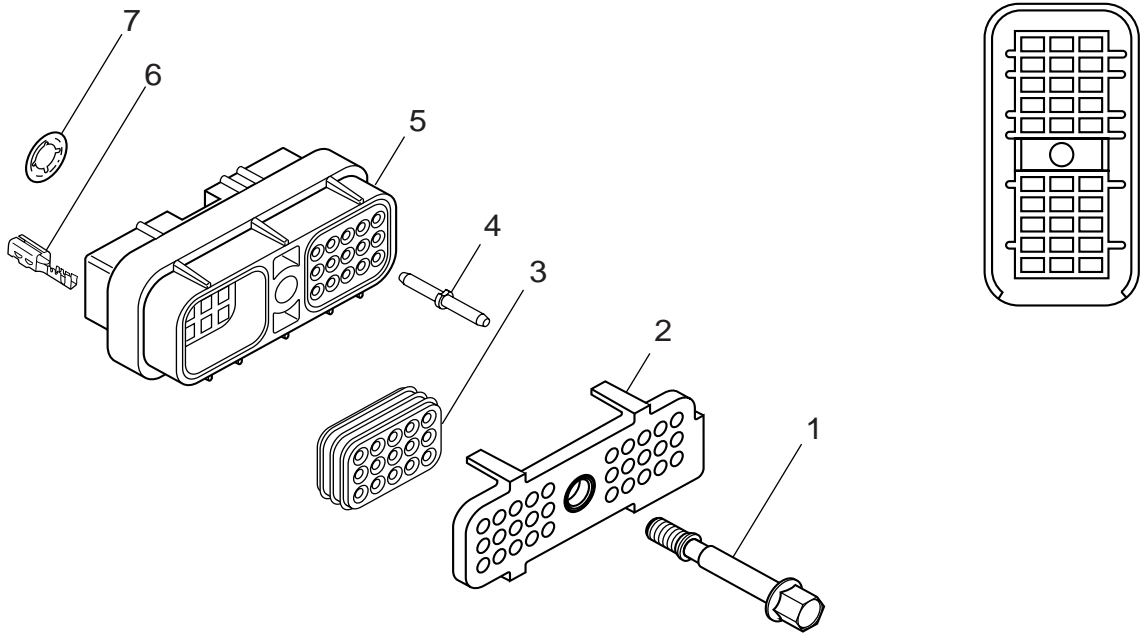


Vehicle Interface Module (Transmission Harness)
(WTEC II, III & GEN4)

Ref #	Description	Part Numbers			QTY
		St. Clair	ATD	Mfr	
1	Bolt, 7mm Head Ext.	300104	12129426	15492602	1
2	Strain Relief, 18-Way	300096	12110545	12110545	1
3	Seal, 9-Way	300075	12040936	12040936	2
4	Cavity Plug, Metripack	300008	N/A	12034413	10
5	Connector, Body, 18-Way	300074	12040920	12040920	1
6	Terminal, 150F	300093	12103881	12103881	25
7	Retainer Clip, Bolt	300070	12034236	15492535	1
*	Service Kit	300156	N/A	N/A	1

Repair Tools

Description	Kent-Moore Part Number
Crimping Tool	J 38125-7
Alternate Crimping Tool	J 35123
Removal Tool	J 35689-A

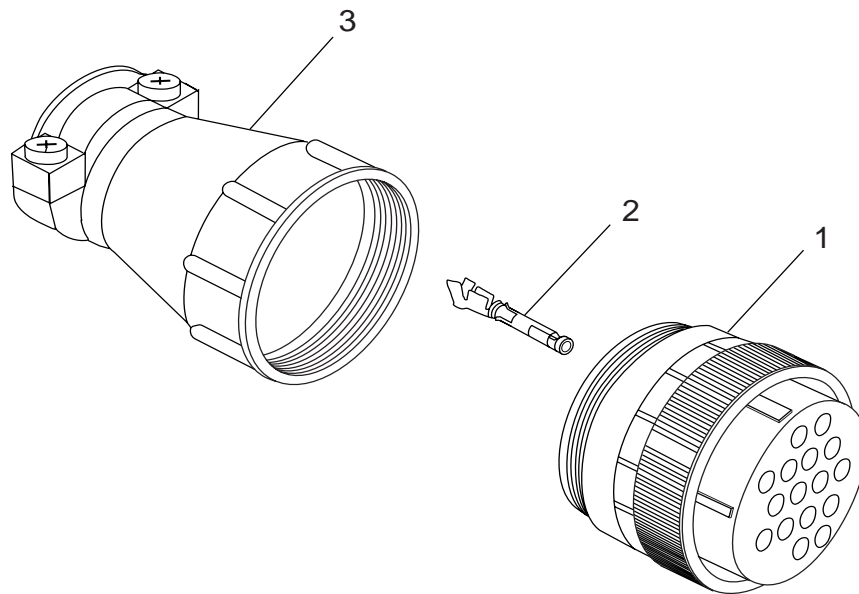


Vehicle Interface Module (Vehicle Harness)
(WTEC II, III & GEN4)

Ref #	Description	Part Numbers			QTY
		St. Clair	ATD	Mfr	
1	Bolt, 7mm Head, Ext.	300104	12129426	12129426	1
2	Strain Relief, 30-Way	300097	12110546	12110546	1
3	Seal, 15-Way	300073	12040879	12040879	2
4	Cavity Plug, Metripack	300008	N/A	12034413	15
5	Connector, Body, 30-Way	300071	12034397	12034397	1
6	Terminal, 150F Series	300093	12103881	12103881	40
7	Retainer Clip, Bolt	300070	12034236	15492535	1
*	Service Kit	300157	N/A	N/A	1

Repair Tools

Description	Kent-Moore Part Number
Crimping Tool	J 38125-7
Alternate Crimping Tool	J 35123
Removal Tool	J 35689-A

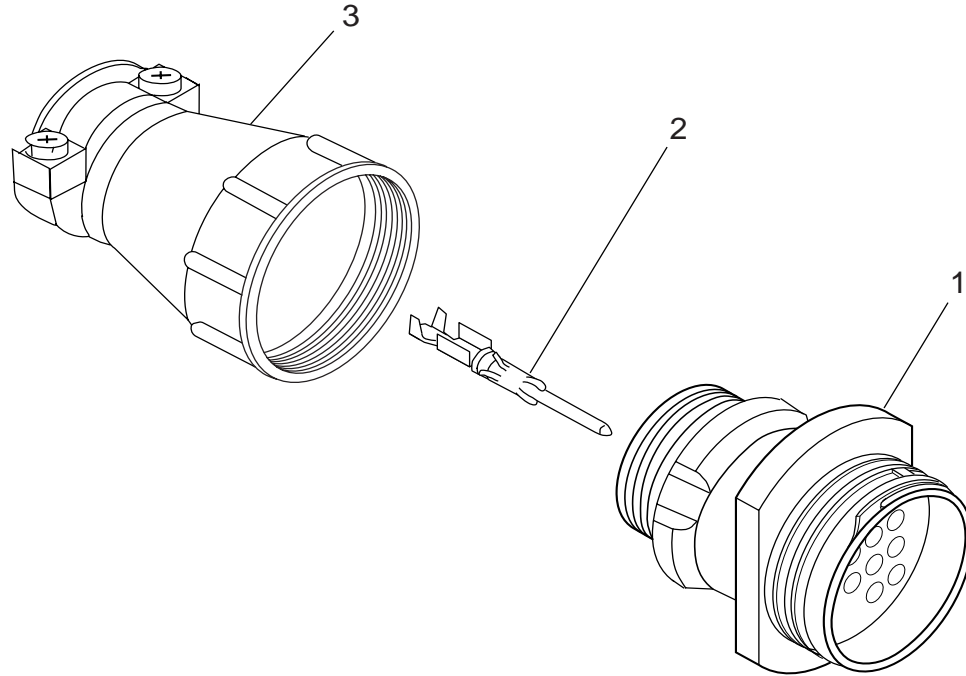


Vehicle Interface Wiring (Transmission Harness)
(WTEC II)

Ref #	Description	Part Numbers			QTY
		St. Clair	ATD	Mfr	
1	Connector, Plug, 16-Way	300038	23016193	206037-1	1
2	Terminal, Socket	300036	23015204	66100-7	25
3	Shell, CPC Size 17	300040	N/A	206322-9	1
*	Service Kit	300158	N/A	N/A	1

Repair Tools

Description	Kent-Moore Part Number
Crimping Tool	J 38125-7
Removal Tool	J34823

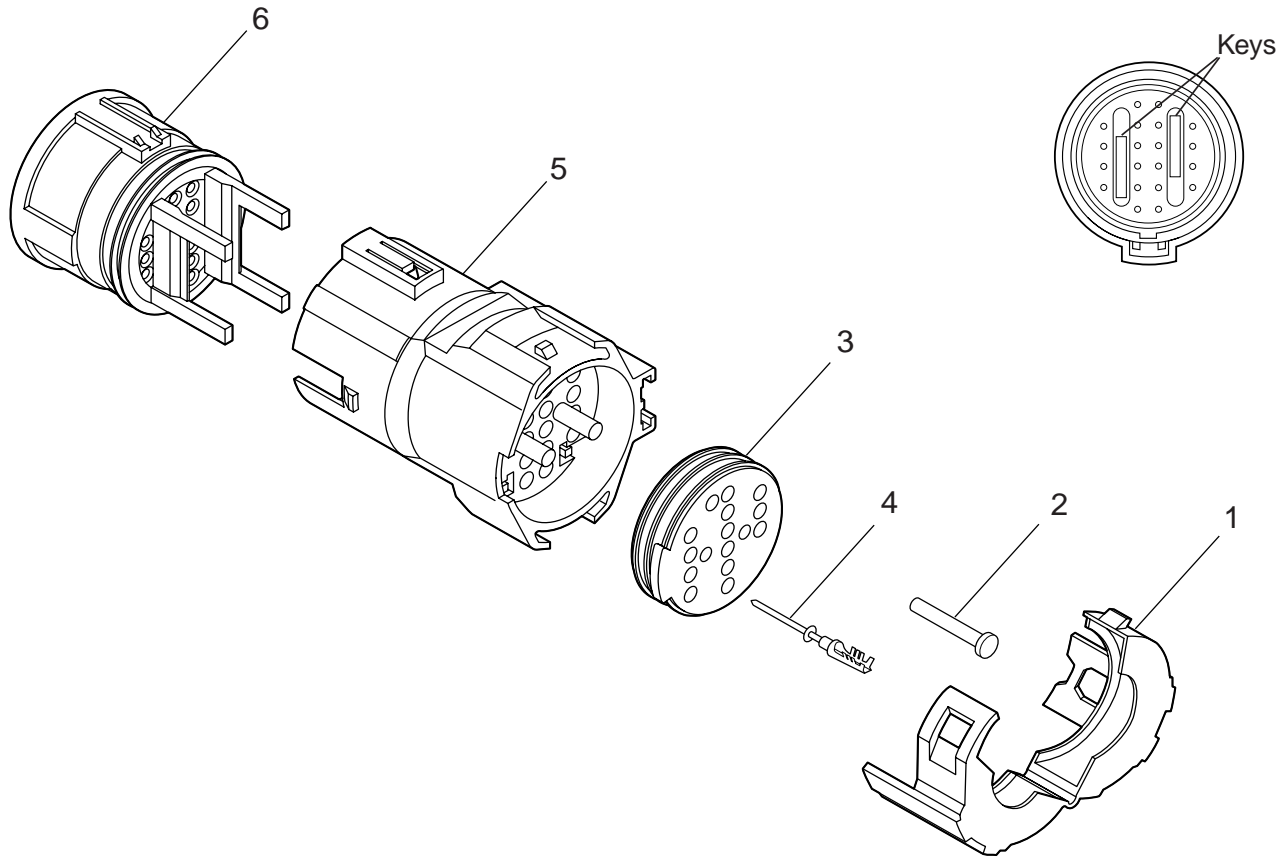


Vehicle Interface Wiring (Vehicle Harness)
(WTEC II)

Ref #	Description	Part Numbers			QTY
		St. Clair	ATD	Mfr	
1	Connector, Receptacle, 16-Way	300046	29501001	206036-3	1
2	Terminal, Pin	300037	N/A	1-66098-8	25
3	Shell, CPC Size 17	300040	23016490	206322-1	1
*	Service Kit	300159	N/A	N/A	1

Repair Tools

Description	Kent-Moore Part Number
Crimping Tool	J 38125-7
Removal Tool	J 34823



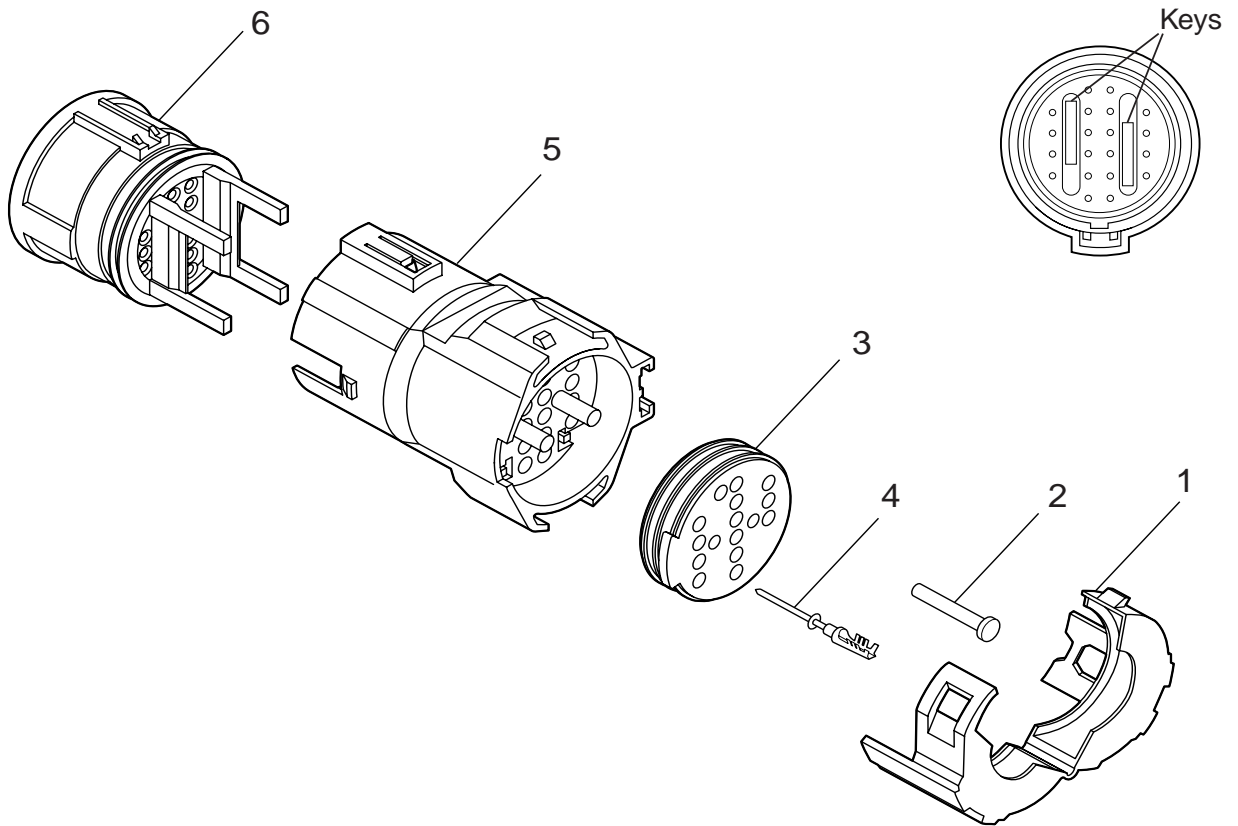
Vehicle Interface Wiring - VIW S
(WTEC III)

Vehicle Interface Wiring - VIW X
(1000/2000/2400)
GPX- GEN 4

Ref #	Description	Part Numbers			QTY
		St. Clair	ATD	Mfr	
1	Conduit Clip, 13 mm Black	300113	12176394	12176394	1
2	Cavity Plug, 100W	300105	12129557	12129557	10
3	Cable Seal, 14M Green	300098	12110693	12110693	1
4	Terminal, Pin 100W	300109	12160551	12160551	28
5	Connector 20M MIC/P 100W Gray	300108	12160542	12160542	1
6	Lock Assist/Seal, 20M White	300121	12191178	12191178	1
*	Service Kit	300160	N/A	N/A	1

Repair Tools

Description	Kent-Moore Part Number
Crimping Tool	J 42215
Removal Tool	J 39227



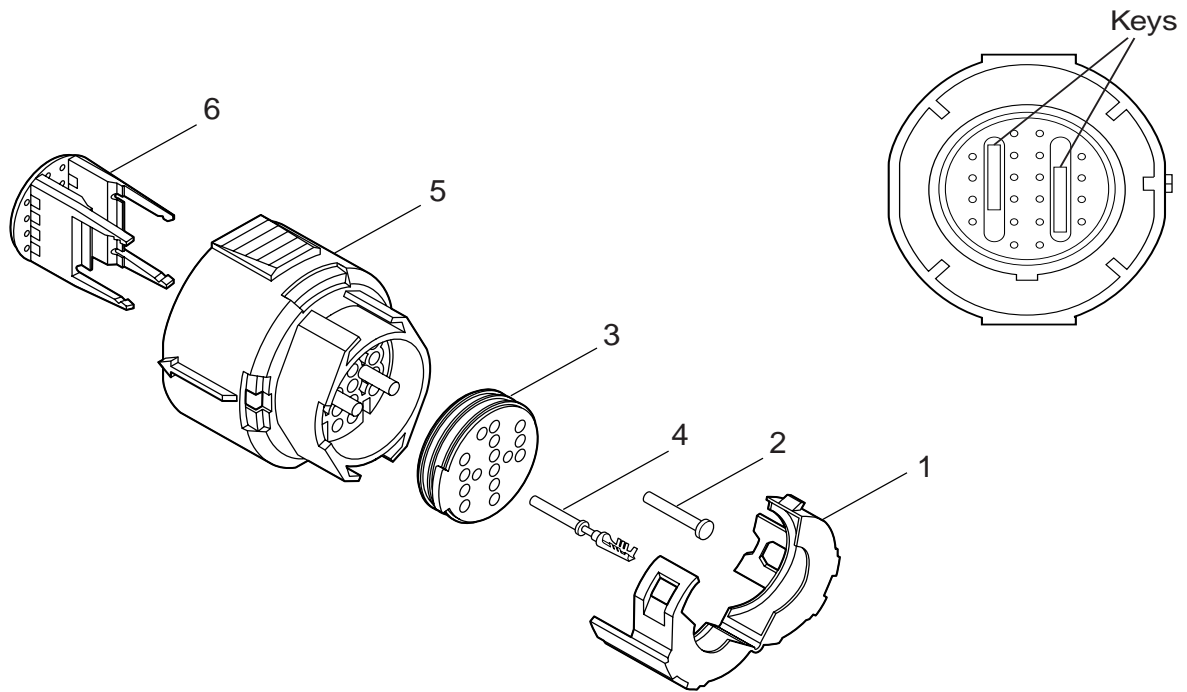
Vehicle Interface Wiring - VIW V
(WTEC III)

Vehicle Interface Wiring - VWYX
(1000/2000/2400)

Ref #	Description	Part Numbers			QTY
		St. Clair	ATD	Mfr	
1	Conduit Clip, 13 mm Black	300113	12176394	12176394	1
2	Cavity Plug, 100W	300105	12129557	12129557	10
3	Cable Seal, 14M Green	300098	12110693	12110693	1
4	Terminal, Pin 100W	300109	12160551	12160551	28
5	Connector 20M MIC/P 100W Gray	300108	12160542	12160542	1
6	Lock Assist/seal, 20M Blue	300120	12191177	12191177	1
*	Service Kit	300161	N/A	N/A	1

Repair Tools

Description	Kent-Moore Part Number
Crimping Tool	J 42215
Removal Tool	J 39227

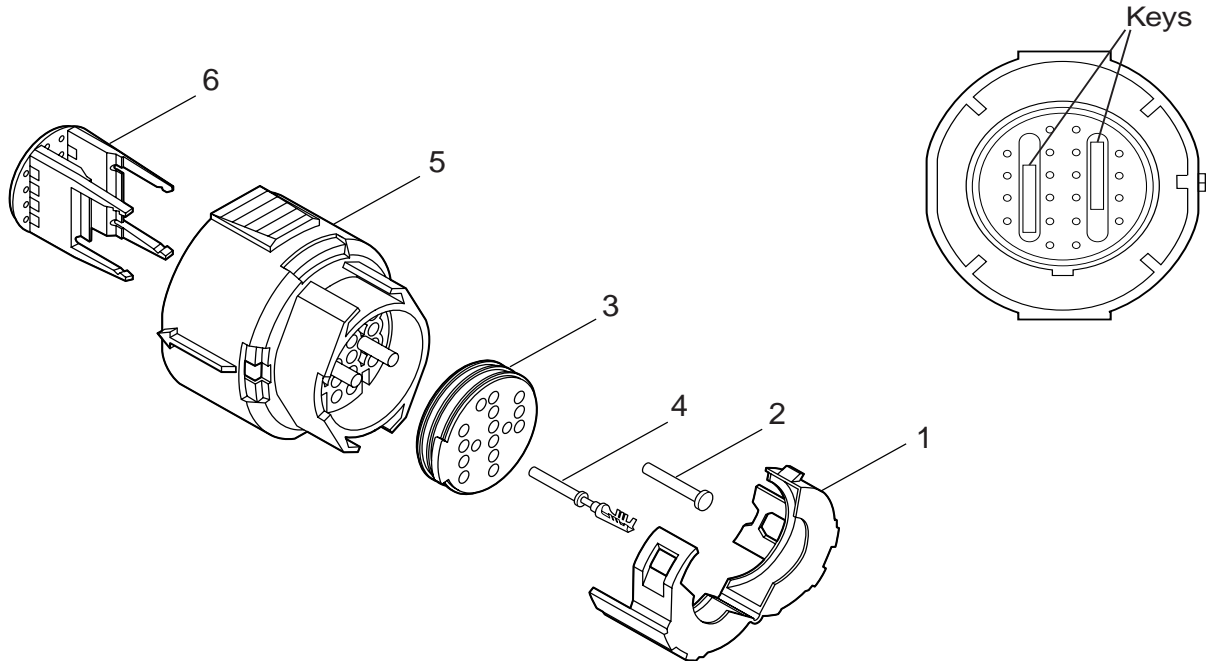


Vehicle Interface Wiring - VIW SX
 (WTEC III)
 Vehicle Interface Wiring - VW XX
 (1000/2000/2400)

Ref #	Description	Part Numbers			QTY
		St. Clair	ATD	Mfr	
1	Conduit Clip, 13 mm Black	300113	12176394	12176394	1
2	Cavity Plug, 100W	300105	12129557	12129557	10
3	Cable Seal, 14F Red	300126	15304882	15304882	1
4	Terminal, Socket 100W	300087	12084912	12084912	28
5	Connector 20F MIC/P 100W Gray	300106	12160280	12160280	1
6	Lock, Secondary 20F White	300119	12191173	12191173	1
*	Service Kit	300162	N/A	N/A	1

Repair Tools

Description	Kent-Moore Part Number
Crimping Tool	J 42215
Removal Tool	J 39227

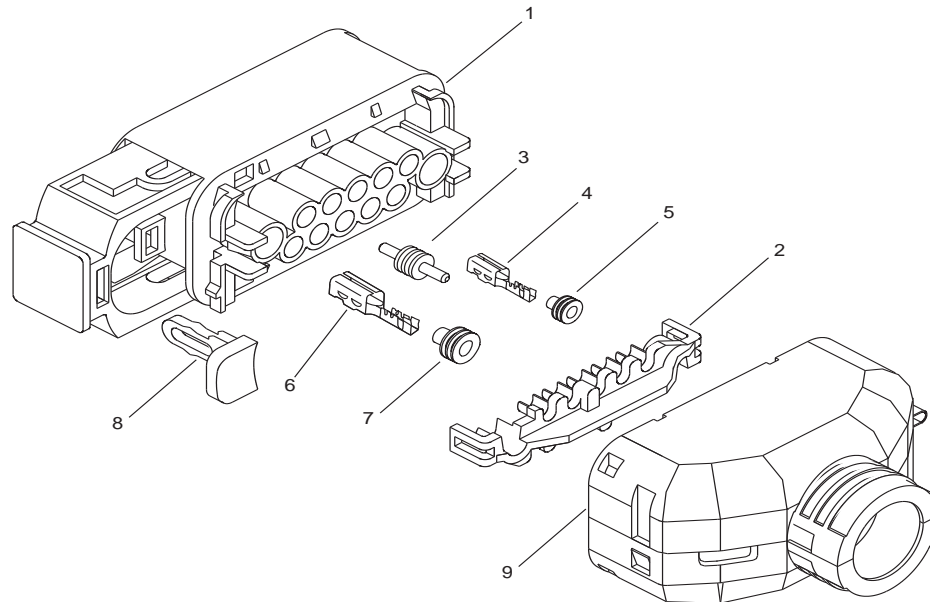


Vehicle Interface Wiring - VIW VX
(WTEC III)
Vehicle Interface Wiring - VIW Y
(1000/2000/2400)

Ref #	Description	Part Numbers			QTY
		St. Clair	ATD	Mfr	
1	Conduit Clip, 13 mm Black	300113	12176394	12176394	1
2	Cavity Plug, 100W	300105	12129557	12129557	10
3	Cable Seal, 14F Red	300126	15304882	15304882	1
4	Terminal, Socket 100W	300087	12084912	12084912	28
5	Connector 20F MIC/P 100W Gray	300106	12160280	12160280	1
6	Lock, Secondary 20F Blue	300118	12191172	12191172	1
*	Service Kit	300163	N/A	N/A	1

Repair Tools

Description	Kent-Moore Part Number
Crimping Tool	J 42215
Removal Tool	J 39227



Neutral Start Back Up Switch - 12 Way

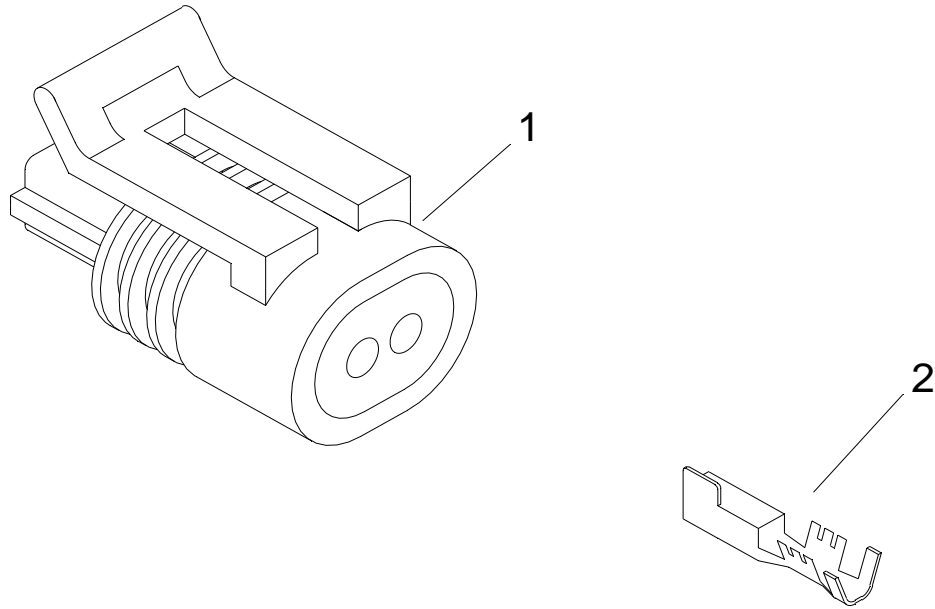
(1000/2000/2400)

After July 1/03

Ref #	Description	Part Numbers			QTY
		St. Clair	ATD	Mfr	
1	Conn. Assy., 12 way, 150/280 Series GT	CM0815		15416722	1
2	TPA, 12 way	CL0254		15416727	1
3	Cavity Plug, 150 Series GT	TS0072		15305171	5
4	Terminal, Socket 150 Series GT, 18 GA	TF0415		12191819	5
5	Seal, Wire Type, 150 Series GT	TS0071L		15366060	12
6	Terminal, Socket 280 Series GT, 18 GA	TF0317		15304719	3
7	Seal, Wire Type, 280 Series GT	TS0055		12191222	3
8	CPA, GT Series	CA0297		15366678	1
9	Conduit Retainer	CA0295		15441828	1
*	Service Kit	300228	N/A	N/A	1

Repair Tools

Description	Kent-Moore Part Number
Crimping Tool	Contact Kent-Moore at www.spxkentmoore.com
Removal Tool	Contact Kent-Moore at www.spxkentmoore.com



NSOL
(WTEC II, III, GEN4)

Ref #	Description	Part Numbers			QTY
		St. Clair	ATD	Mfr	
1	Connector, Male	300265		15326143	1
2	P2S 150.2series Met/Pk sealed 16-18GA300266			12124075	1
*	Service Kit	300281	N/A	N/A	1

Repair Tools

Description	Kent-Moore Part Number
Crimping Tool	J 38125-7
Alternate Crimping Tool	J 35123
Removal Tool	J 35689-A

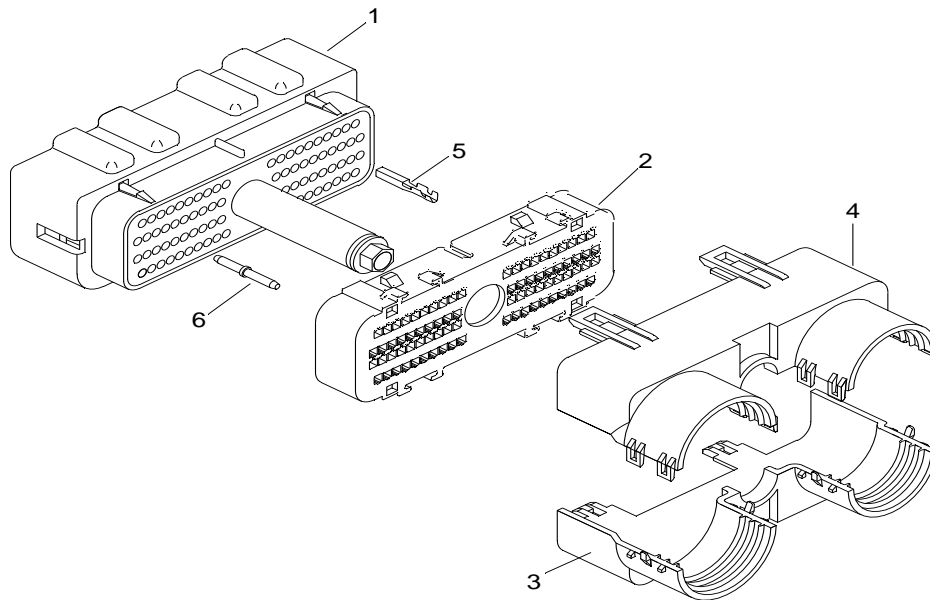
ECU/Shift Selector

(WTEC III)

Ref #	Description	Part Numbers			QTY
		St. Clair	ATD	Mfr	
1	Terminal, Socket 100W	300087	12084912	12084912	120
2	TPA, 32-Way Gray	300102	12129022	12129022	1
3	TPA, 32-Way Blue	300103	12129023	12129023	1
4	Cavity Plug, 100W	300105	12129557	12129557	20
5	Connector 20F MIC/P 100W Gray	300106	12160280	12160280	1
6	Lock, Secondary 20F Green	300107	12160494	12160494	1
7	Conduit Clip, 13 mm Black	300113	12176394	12176394	1
8	CPA, 32-Way Red	300114	12177289	12177289	3
9	Strain Relief, 32-Way Gray	300116	12191002	12191002	1
10	Strain Relief, 32-Way Blue	300117	12191003	12191003	1
11	Strain Relief, 32-Way Black	300115	12191001	12191001	1
12	Seal, 32-Way	300127	15305333	15305333	3
13	Inner Connect, 32-Way	300128	15305371	15305371	3
14	TPA, 32-Way Black	300101	12129021	12129021	1
15	Cable Seal, 14F Red	300126	15304882	15304882	1
*	Service Kit	300173	29532362	N/A	1

Repair Tools

Description	Kent-Moore Part Number
Crimping Tool	J 42215
Removal Tool	J 39227

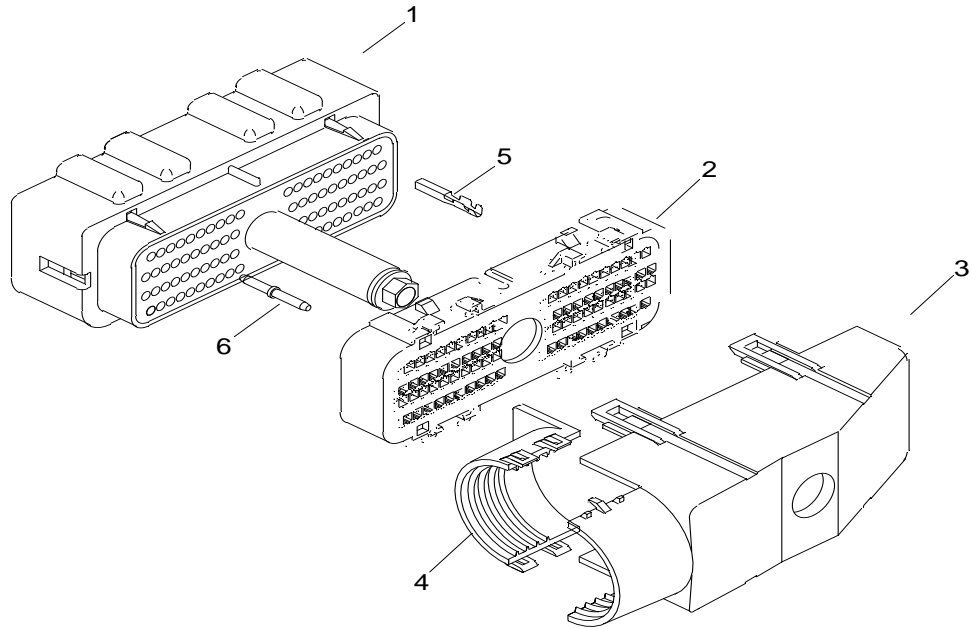


TCM Straight Dress (GEN4)

Ref #	Description	Part Numbers			QTY
		St. Clair	ATD	Mfr	
1	Connector Assembly, 80F Bolt-Assist	300243	N/A	R-61991-001	1
2	Grommet Cover, 80-Way	300244	29543008	E-4542	1
3	Wire Dress - Upper Half	300245	29543018	E-4550	1
4	Wire Dress - Lower Half	300246	29543023	E-4551	1
5	Terminal, Receptacle	300247	29543085	33001-1004	90 (5)
6	Cavity Plug	300008	N/A	12034413	25 (10)
*	Service Kit	300276	29542326	N/A	1

Repair Tools

Description	Molex Part Number
Crimping Tool (for 14-16 AWG)	63811-6000
Crimping Tool (for 18-22 AWG)	63811-6100
Removal Tool	63813-1500

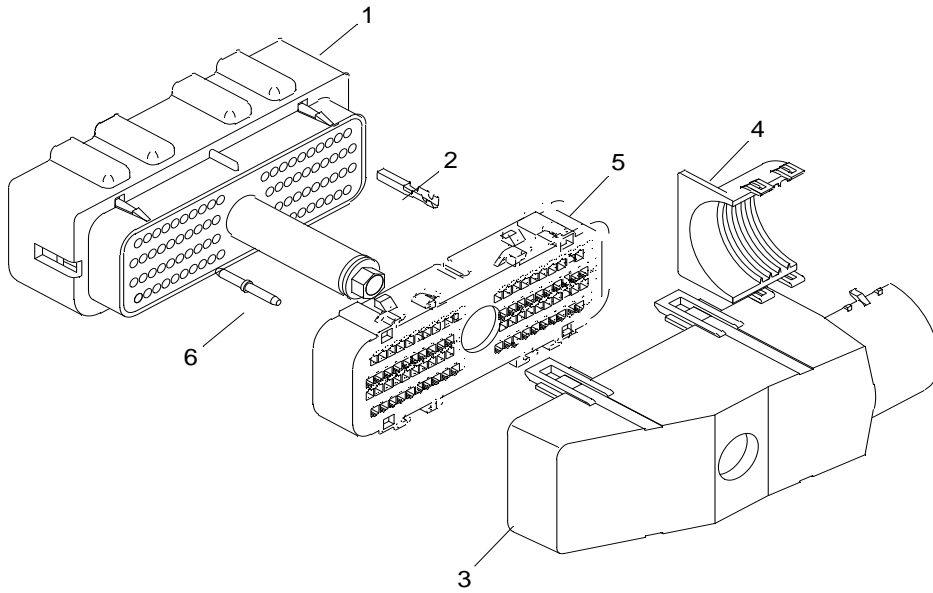


TCM "A" Dress
(GEN4)

Ref #	Description	Part Numbers			QTY
		St. Clair	ATD	Mfr	
1	Connector Assembly, 80F Bolt-Assist	300243	N/A	R-61991-001	1
2	Grommet Cover, 80-Way	300244	29543008	E-4542	1
3	Cover, Wire Dress 80F - Dir iA	300292	29544295	E-6206-002	1
4	Cover, Bottom	300293	29543051	E-4555	1
5	Terminal, Receptacle	300247	29543085	33001-1004	90 (5)
6	Cavity Plug	300008	N/A	12034413	25 (10)
*	Service Kit	300290	29542327	N/A	1

Repair Tools

Description	Molex Part Number
Crimping Tool (for 14-16 AWG)	63811-6000
Crimping Tool (for 18-22 AWG)	63811-6100
Removal Tool	63813-1500

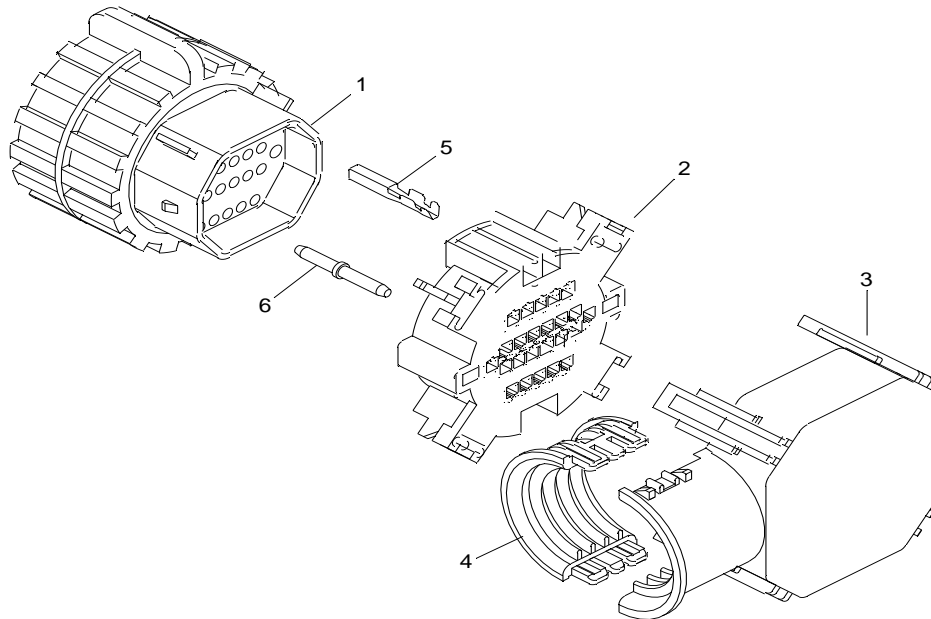


TCM "B" Dress
(GEN4)

Ref #	Description	Part Numbers			QTY
		St. Clair	ATD	Mfr	
1	Connector Assembly, 80F Bolt-Assist	300243	N/A	R-61991-001	1
2	Grommet Cover, 80-Way	300244	29543008	E-4542	1
3	Cover, Wire Dress 80F - Dir iBî	300294	29544299	E-6206-001	1
4	Cover, Bottom	300293	29543051	E-4555	1
5	Terminal, Receptacle	300247	29543085	33001-1004	90 (5)
6	Cavity Plug	300008	N/A	12034413	25 (10)
*	Service Kit	300291	29542328	N/A	1

Repair Tools

Description	Molex Part Number
Crimping Tool (for 14-16 AWG)	63811-6000
Crimping Tool (for 18-22 AWG)	63811-6100
Removal Tool	63813-1500

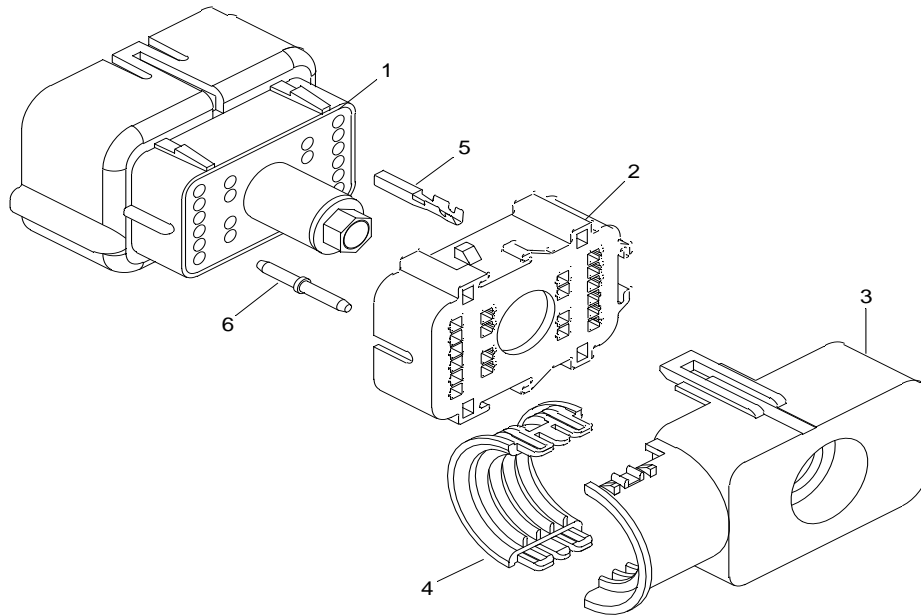


1K/2K Trans
(GEN4)

Ref #	Description	St. Clair	Part Numbers			QTY
			ATD	Mfr		
1	Connector Assembly, 24F Twist-Lock	300248	N/A	R-620001-001	1	
2	Retainer, 24-Way	300249	29543034	E-4582	1	
3	Backshell, 24F	300250	29543033	E-4586	1	
4	Convolute Capture - Wire Dress (19mm)	300251	29543028	E-4570	1	
5	Terminal, Receptacle	300247	29543085	33001-1004	30 (5)	
6	Cavity Plug	300008	N/A	12034413	5 (10)	
*	Service Kit	300277	29543039	N/A	1	

Repair Tools

Description	Molex Part Number
Crimping Tool (for 14-16 AWG)	63811-6000
Crimping Tool (for 18-22 AWG)	63811-6100
Removal Tool	63813-1500

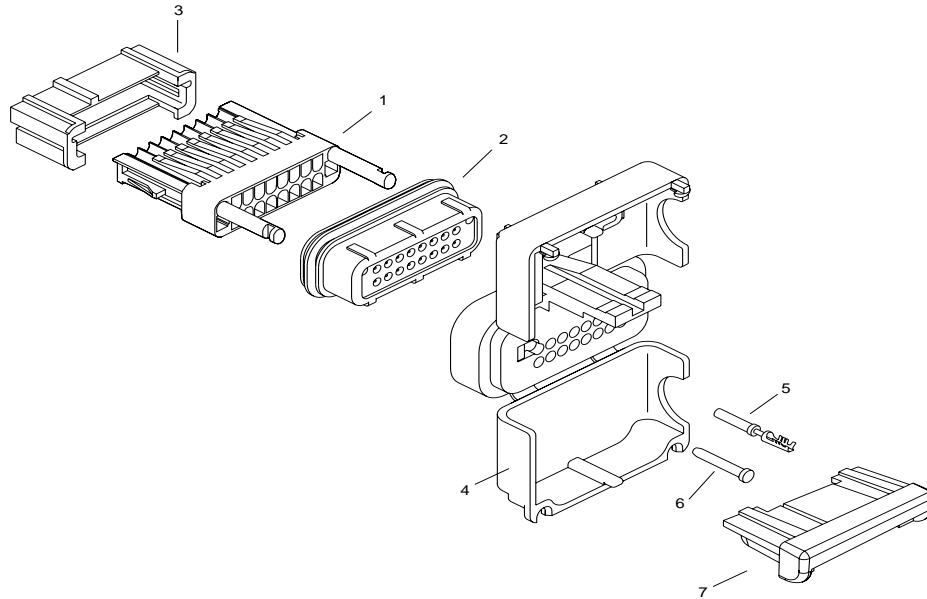


3K/4K Trans (GEN4)

Ref #	Description	St. Clair	Part Numbers			QTY
			ATD	Mfr		
1	Connector Assembly, 20F Bolt	300252	N/A	R-62183-001	1	
2	Retainer, 20-Way	300253	29543025	E-4566	1	
3	Backshell, 20F	300254	29543024	E-4569	1	
4	Convolute Capture - Wire Dress (19mm)	300251	29543028	E-4570	1	
5	Terminal, Receptacle	300247	29543085	33001-1004	25 (5)	
6	Cavity Plug	300008	N/A	12034413	5 (10)	
*	Service Kit	300278	29543022	N/A	1	

Repair Tools

Description	Molex Part Number
Crimping Tool (for 14-16 AWG)	63811-6000
Crimping Tool (for 18-22 AWG)	63811-6100
Removal Tool	63813-1500

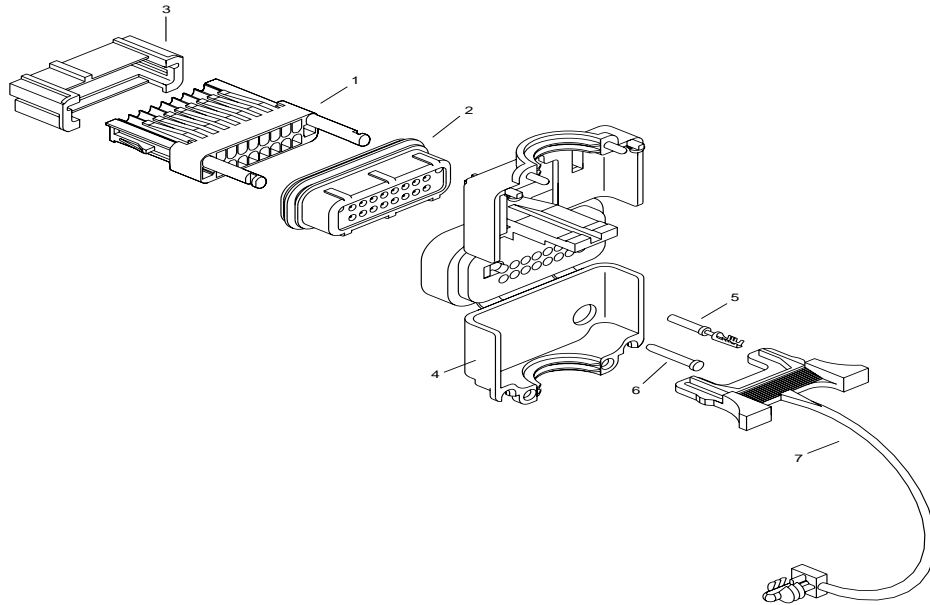


Shift Selector - 90°
(GEN4)

Ref #	Description	Part Numbers			QTY
		St. Clair	ATD	Mfr	
1	Connector, 16F	300255	N/A	12191065	1
2	Seal, 16-Way Connector, Orange	300256	N/A	12191066	1
3	TPA Retainer, 16F	300257	N/A	12191067	1
4	Strain Relief, 16F 90 degree	300258	N/A	12191068	1
5	Terminal	300087	N/A	12084912	25 (5)
6	Cavity Plug	300105	N/A	12129557	5 (10)
7	CPA Lock	300310	N/A	12110299	1
*	Service Kit	300279	N/A	N/A	1

Repair Tools

Description	Part Number
Crimping Tool (Kent Moore)	J42215
Removal Tool (Deutsch)	M15570-16
Insertion Tool (Deutsch)	M81989-14-0

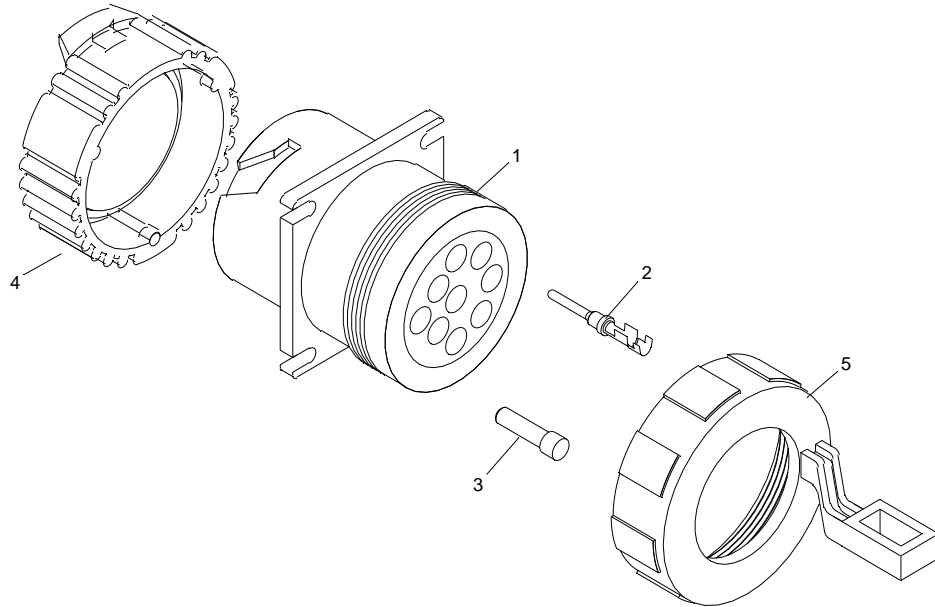


Shift Selector - Straight (GEN4)

Ref #	Description	Part Numbers			QTY
		St. Clair	ATD	Mfr	
1	Connector, 16F	300255	N/A	12191065	1
2	Seal, 16-Way Connector, Orange	300256	N/A	12191066	1
3	TPA Retainer, 16F	300257	N/A	12191067	1
4	Strain Relief, 16F 180°	300259	N/A	15460298	1
5	Terminal	300087	N/A	12084912	25 (5)
6	Cavity Plug	300105	N/A	12129557	5 (10)
7	CPA Lock	300114	N/A	12177289	1
*	Service Kit	300280	N/A	N/A	1

Repair Tools

Description	Part Number
Crimping Tool (Kent Moore)	J42215
Removal Tool (Deutsch)	M15570-16
Insertion Tool (Deutsch)	M81989-14-0

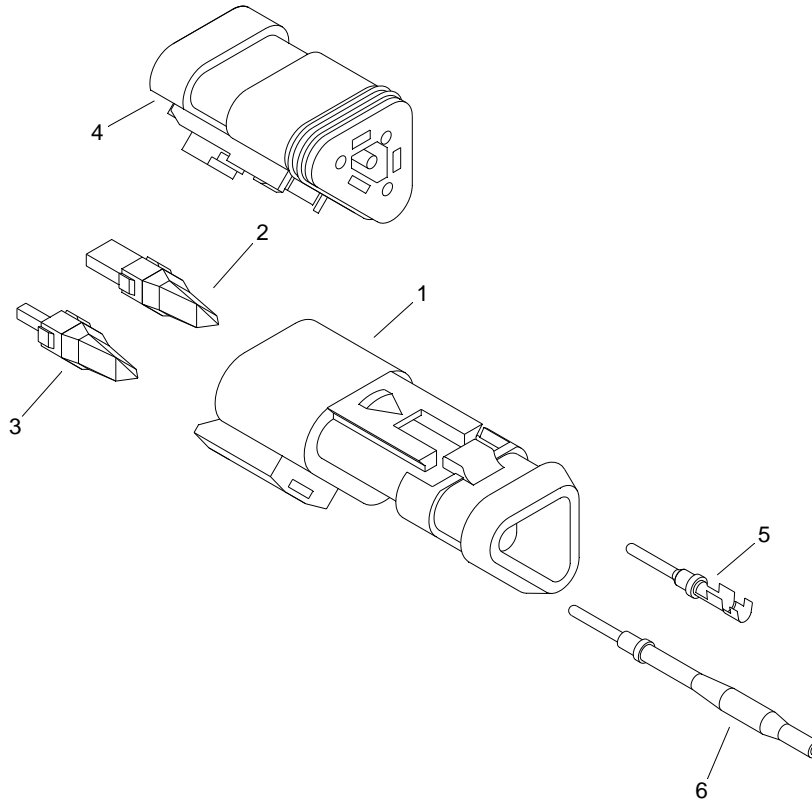


**DDR 9-Way
(GEN4)**

Ref #	Description	Part Numbers			QTY
		St. Clair	ATD	Mfr	
1	Connector, 9-Way Male	300267	N/A	HD10-9-1939P	1
2	Terminal	300007	29542586	15424453	10 (10)
3	Cavity Plug	300000	23016504	114017	5 (5)
4	Cap	300268	N/A	HDC16-9	1
5	Strain Relief	300269	N/A	HD18-009	1
*	Service Kit	300217	N/A	N/A	1

Repair Tools

Description	Power & Signal Part Number
Crimping Tool	HT51602535-5

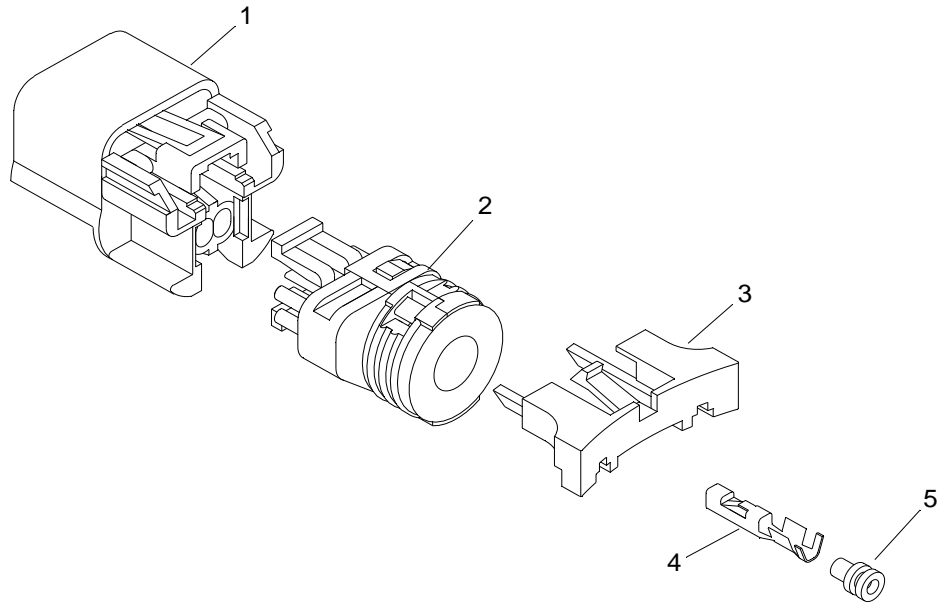


J1939 Female with Blue Lock
(GEN4)

Ref #	Description	Part Numbers			QTY
		St. Clair	ATD	Mfr	
1	3 pos Gray Connector for Heat Shrink	300270	N/A	DT04-3P-E008	1
2	Blue Lock	300271	N/A	W3P-1939	1
3	Green Lock	CL0094	N/A	W3P	1
4	Resistor	300272	N/A	DT06-3S-P006	1
5	Terminal	300007	29542586	15424453	2 (10)
6	Extended Pin	300273	N/A	0460-247-1631	1 (2)
7	Heat Shrink	300274	N/A	ATUM-3/4-0	1
*	Service Kit	300282	N/A	N/A	1

Repair Tools

Description	Power & Signal Part Number
Crimping Tool	HT51602535-5



Transmission Speed Sensors
Engine, Turbine & Output
 (GEN4 3K/4K, 1K/2K)

Ref #	Description	Part Numbers			QTY
		St. Clair	ATD	Mfr	
1	Conector, 2-Way Black	300306	13520101	13520101	1
2	TPA, 2 Pos Black	300264	15358890	15358890	1
3	CPA, W Pos	300261	15496486	15496486	1
4	Terminal, 18ga	300262	15326267	15326267	2
5	Wire Seal	300263	15305351	15305351	2
*	Service Kit	300307	N/A	N/A	1

Repair Tools

Description	Power & Signal Part Number
Removal Tool	12094429

Notes

The background of the page is a repeating pattern of light blue technical line drawings of various mechanical components. These include cylindrical housings, circular grilles with perforations, and other intricate parts, all rendered in a clean, technical style.

St Clair Technologies, Inc.
55 Garnet Street
Wallaceburg, Ontario N8A4L8
Phone: 519-627-1673
Fax: 519-627-4227
Visit Our Website at
www.stclairtech.com